

ECAG2 ThermaLED Technology

ThermaLED AquaGuard



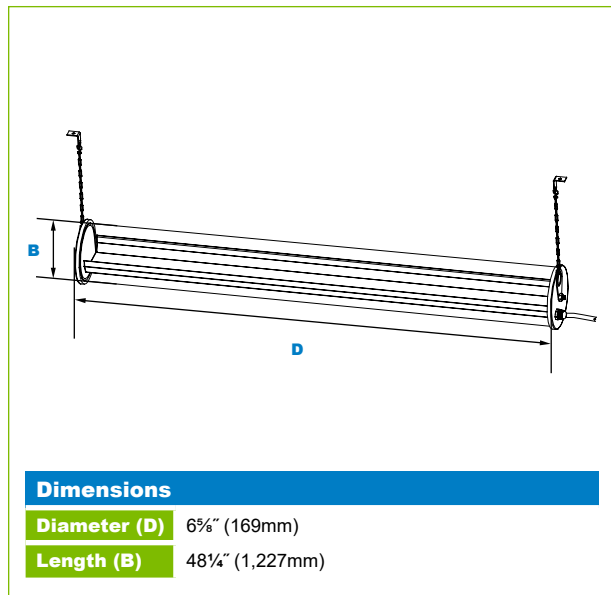
12802 COMMODITY PL
TAMPA, FL 33626
PHONE: 844-636-2036
SALES@ECO-REVOLUTION.COM
WWW.ECO-REVOLUTION.COM

Order Information Example:		ECAG24QF1X47U5KWWSF			
ECAG2	4QF1X47	U	5K	W	
Model	Length/Optic/Wattage	Driver	CCT	Color	Options
ECAG2=ThermaLED AquaGuard	4QF1X47=4 Feet, 47w	U=120-277V	5K=5000K	W=White	SF=Single Fuse DF=Double Fuse SP=Surge Protection



L70
(25°C) **187,000 Hours**

The Eco-Revolution ECAG2 AquaGuard suspension mount luminaire is available with a clear micro prism extruded polycarbonate lens designed to replace linear T5HO and T8 lighting tube style systems. Wet location, wash down IP66-rated enclosure with stainless steel hardware is ideal for harsh environments with regular moisture or wash down requirements including car washes, indoor pools, and industrial applications. Mounting heights of 8 to 18 feet can be used based on light level and uniformity requirements.



Specifications and Features:

Housing/ Lens:	Extruded Clear Acrylic Housing with Prismatic Lens Area, White Polycarbonate Gasketed End Caps, Suitable for Wash-Down Applications. Includes Liquid-Tight Strain Relief and 4' 16/3 STW Black Cordset with Stripped Ends.
Listing & Ratings:	CSA: Listed for Wet Locations, ANSI/UL 1598, 8750 Wash-Down Cleaning IP66 Sealed LED Compartment.
Internal Components:	White Powdercoat Reflector/Driver Bracket Assembly
Mounting Options:	Suspension Mount with Included Stainless Steel Ceiling Brackets and Stainless Steel Chains, 12ga, 9 1/2" Long.
ThermaLED LED:	Aluminum Boards
Wattage:	Array: 47w, System: 52w
Driver:	Electronic Driver, 120-277V, 50/60Hz; Less Than 20% THD and PF>0.90. Standard Internal Surge Protection 6kV. 0-10V Dimming Standard for a Dimming Range of 100% to 10%; Dimming Source Current is 150 Microamps.
Warranty:	5-Year Warranty for -40°C to +40°C Environment.

See Page 2 for Projected Lumen Maintenance Table.

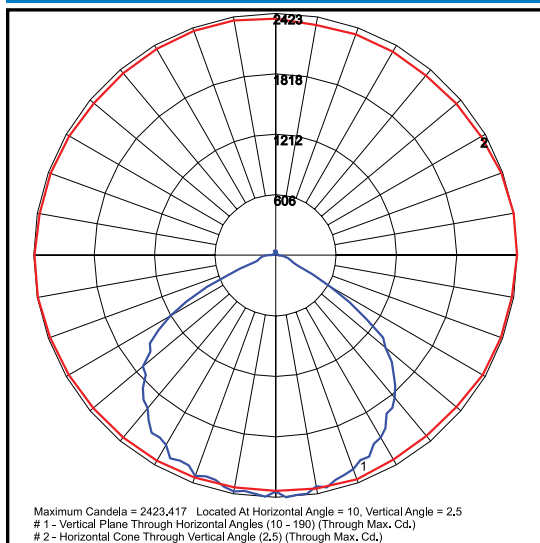
Certification & Listings:



Project Information:	Project Name: _____	Fixture Type: _____
	Complete Catalog #: _____	Date: _____
	Comments: _____	_____
	_____	_____

5 LOCATIONS
Tampa, FL
Vancouver, WA
Cerritos, CA
Walden, NY
Memphis, TN

Photometric Data



ECAG24QF1X47U5K

Photometric Performance

LED Board Watts	Drive Current (mA)	Input Watts	Optics	Spacing Criteria	5000 CCT 80 CRI	
					Lumens	LPW
ThermaLED 47w	116	55	F (110°)	1.34	6,888	125

Projected Lumen Maintenance

Data shown for 5000 CCT		Compare to MH				
TM-21-11	Input Watts	Initial	25,000 Hrs	50,000 Hrs	100,000 Hrs	Calculated L70@ 25°C
L70 Lumen Maintenance @ 25°C / 77°F	55	1.00	0.96	0.92	0.84	187,000
TM-21-11	Input Watts	Initial	25,000 Hrs	50,000 Hrs	100,000 Hrs	Calculated L70@ 50°C
L70 Lumen Maintenance @ 50°C / 122°F	55	1.00	0.94	0.87	0.75	118,000
TM-21-11	Input Watts	Initial	25,000 Hrs	50,000 Hrs	100,000 Hrs	Calculated L80@ 40°C
L80 Lumen Maintenance @ 40°C / 104°F	55	1.00	0.95	0.89	0.78	92,000

NOTES:

1. Projected per IESNA TM-21-11. Data references the extrapolated performance projections for the 116mA base model in a 25°C ambient, based on 10,000 hours of LED testing per IESNA LM-80-08.
2. Compare to MH box indicates suggested Light Loss Factor (LLF) to be used when comparing to Metal Halide (MH) systems.