

AmberLED Vaporproof AmberLED



12802 COMMODITY PL
TAMPA, FL 33626
PHONE: 813-792-3674
SALES@ECO-REVOLUTION.COM
WWW.ECO-REVOLUTION.COM

Order Information Example:

ECVB43QF1X10UAMGSF

Model	Optics	Wattage	Driver	CCT	Color	Options
ECVB43Q = AmberLED Large Box Mount Vaporproof ECVP43Q = AmberLED Large Pendant Mount Vaporproof ECVW43Q = AmberLED Large Wall Mount Vaporproof	F=Type V	1X10=10w	U=120-277V	AM=Amber	G=Gray C=Custom (Consult Factory)	SF=Single Fuse DF=Double Fuse



ECVB43Q



ECVW43Q

L70
(25°C) **135,000 Hours**

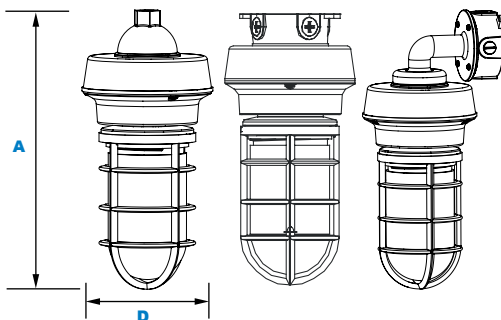
The Eco-Revolution AmberLED Vaporproof fixtures with a choice of mounting configurations are designed to replace HID lighting systems up to 70w MH or HPS for wildlife or security applications requiring monochromatic AMBER light. LEDs operate between 585 and 595 nm, greater than 560nm required for wildlife protection. This vapor resistant fixture can withstand extreme physical and environmental abuse and is ideal for retail centers, industrial parks, schools and universities, public transit and airports, office buildings and medical facilities. Mounting heights of 8 to 12 feet can be used based on light level and uniformity requirements.

Specifications and Features:

Housing:	Heavy Duty Die Cast Aluminum Housing & Screw On Guard, 3/4" NPS Threaded Mounts.
Listing & Ratings:	CSA: Listed for Wet Locations, ANSI/UL 1598, 8750 IP66 Sealed LED Compartment.
Finish:	Textured Gray Powdercoat Finish Over a Chromate Conversion Coating. Custom Colors Available Upon Request.
Lens:	Clear Glass Globe Lens.
Mounting Options:	Pendant Mount or Surface Mount on Wall or Ceiling
AmberLED:	Aluminum Boards
Wattage:	Array: 10w, System: 14.2w (70w HID Equivalent)
Driver:	Electronic Driver, 120-277V, 50/60Hz; Less Than 20% THD and PF>0.90. Standard Internal Surge Protection 2kV. 0-10V Dimming Standard for a Dimming Range of 100% to 10%; Dimming Source Current is 150 Microamps.
Warranty:	5-Year Warranty for -40°C to +40°C Environment.

See Page 2 for Projected Lumen Maintenance Table.

Certification & Listings:



Dimensions

Diameter (D)	7 1/8" (181mm)
Height (A)	ECVP43 14 3/4" (375mm) ECVB43 15" (381mm) ECVW43 18 1/4" (464mm)

Project Information:

Project Name: _____

Complete Catalog #: _____

Comments: _____

Fixture Type: _____

Date: _____

5 LOCATIONS
Tampa, FL
Vancouver, WA
Cerritos, CA
Walden, NY
Memphis, TN

AmberLED Vaporproof AmberLED



12802 COMMODITY PL
TAMPA, FL 33626
PHONE: 813-792-3674
SALES@ECO-REVOLUTION.COM
WWW.ECO-REVOLUTION.COM

Accessories & Replacement Parts:



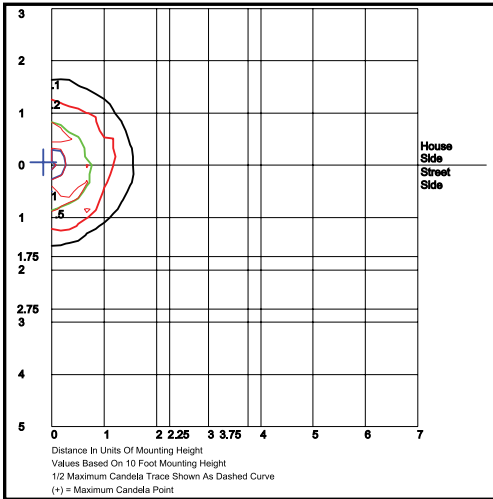
Accessories (Order Separately, Field Installed)	
ECVG30F	Frosted Glass Globe
ECVS30A	Angled Aluminum Shade, Repaintable Textured Gray Finish. 8 3/4" H by 11 1/4" Dia.
ECWVGS	Wire Guard for Straight Shade, Stainless Steel
ECWVGA	Wire Guard for Angled Shade, Stainless Steel
ECCPRB	Reducer Bushing, 3/4" to 1/2", use with Swivel Mount
ECCPRB1	Die Cast Round Electrical Box with Five (5) 1/2" Coin Plugs
ECCPRC1	Backplate, 1/2" Coin Plugs
ECCPRB3	Die Cast Round Electrical Box with Five (5) 3/4" Coin Plugs

Mounting Accessories (Order Separately, Field Installed)	
ECCPSPR	Swivel Pendant Mount - Round, for Angled or Straight Ceilings, Fits 3/4" Conduit, Includes Reducer Bushing (to 1/2") & Set Screw
ECCPSPS	Swivel Pendant Mount - Square, or Angled or Straight Ceilings, Fits 3/4" Conduit, Includes Reducer Bushing (to 1/2") & Set Screw

Replacement Parts (Order Separately, Field Installed)	
ECVG30	Heat-Treated Clear Glass Globe
ECVP3G	Cast Guard

*Shown Mounted

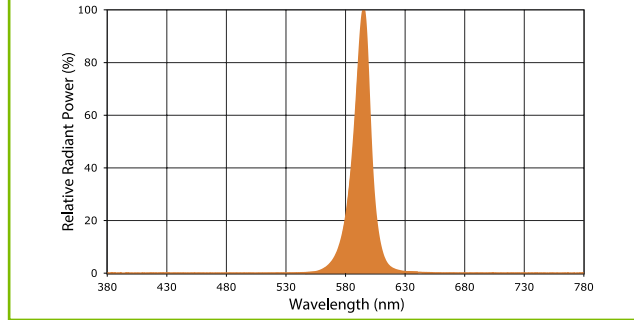
Photometric Data



ECVP43QF1X10UAM
Type V

Grid in MH
MH=10 Feet

Amber LED - Spectral Chart



Photometric Performance

LED Board Watts	Drive Current (mA)	Input Watts	Optics	Amber LEDs				
				Lumens	LPW	B	U	G
AmberLED 10w	116	13	Type V	374	26	0	2	0

Projected Lumen Maintenance

Data shown for Amber LEDs	Compare to MH					
TM-21-11	Input Watts	Initial	25,000 Hrs	50,000 Hrs	100,000 Hrs	Calculated L70@ 25°C
L70 Lumen Maintenance @ 25°C / 77°F	13	1.00	0.94	0.89	0.78	135,000
TM-21-11	Input Watts	Initial	25,000 Hrs	50,000 Hrs	100,000 Hrs	Calculated L70@ 50°C
L70 Lumen Maintenance @ 50°C / 122°F	13	1.00	0.85	0.69	0.39	49,000
TM-21-11	Input Watts	Initial	25,000 Hrs	50,000 Hrs	100,000 Hrs	Calculated L80@ 40°C
L80 Lumen Maintenance @ 40°C / 104°F	13	1.00	0.92	0.84	0.67	61,000

NOTES:

1. Projected per IESNA TM-21-11. Data references the extrapolated performance projections for the 116mA base model in a 25°C ambient, based on 10,000 hours of LED testing per IESNA LM-80-08.
2. Compare to MH box indicates suggested Light Loss Factor (LLF) to be used when comparing to Metal Halide (MH) systems.