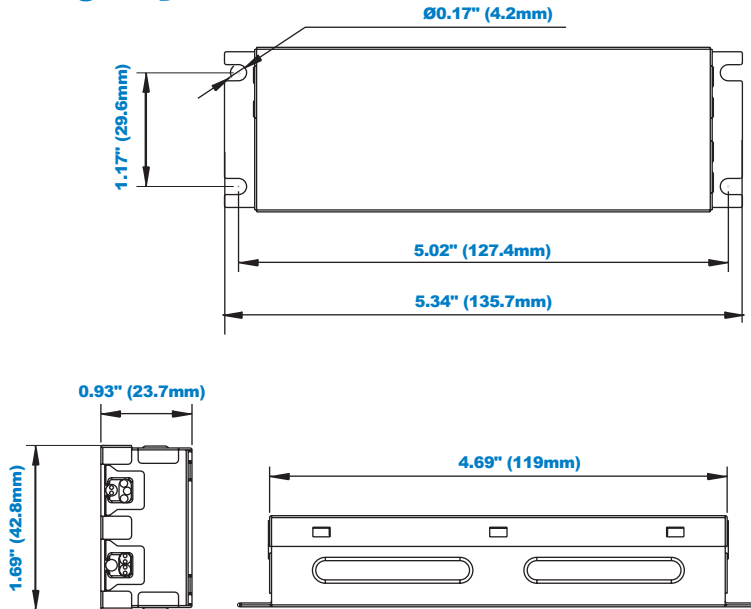
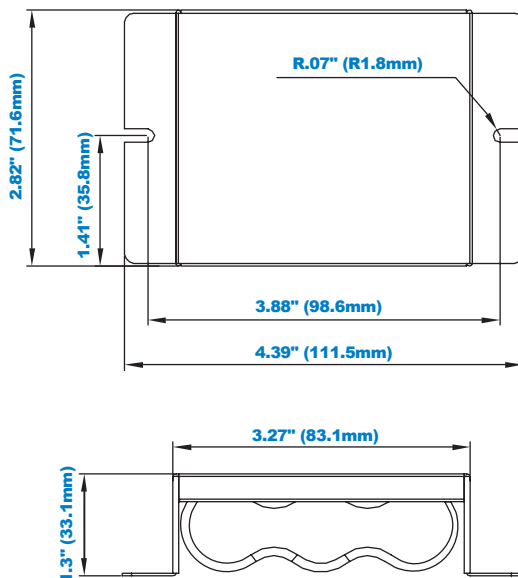




Emergency Driver



LED Battery Pack



The EC3EBL120277-36F provides at least 90 minutes of backup power for select models of our LED fixtures.

Specifications and Features:

Features:

Battery Over Discharge Protection
Output Short Circuit Protection
LED Red/Green Stainless Steel Test Switch

Electrical Specifications:

Input Voltage: 100-277VAC, 50/60Hz
Input Current: 0.1A Max.
Input Power: 6W Max.
Standby Input Power: <0.8W
Driver Type: Constant Current
Output Current: 100mA -700mA
Output Voltage Range: 12-55VDC
Output Wattage: 1.2-16W
Number of Output Channels: 1 Channel
Output Type: LED Class 2
RFI/EMI: FCC Part 15 Class A
Battery Discharge Time: 90 Minutes Min.
Ambient Operating Temperature Range: 10°C to 50°C (50°F to 122°F)
Input Surge Protection: 2.5KV Ring Wave
Battery Type: LiFePO 4 (Lithium Iron Phosphate, LFP)
Life: 50,000 Hours

Testing The System:

The emergency battery requires a charge minimum of one (1) hour before testing the circuit. A full charge requires twenty-four (24) hours.

Test Switch:

Red/Green LED
IP67
Life: >100,000 Cycles

Listing & Ratings:

RoHS, cURus 1310, cURus 924, CEC Title 20, Dry and Damp Locations

Use with:

- | | | |
|--------------|--------------|-------------|
| • ECAFRWS20Q | • ECBOSFRLQ* | • ECWPA15Q |
| • ECAFR30Q | • ECCP10Q | • ECWPA25Q |
| • ECAFR31Q | • ECCP30Q | • ECWPC12Q* |
| • ECAFR32Q | • ECLV2AQ | • ECWPC15Q* |
| • ECAFRC30Q | • ECLV4AQ | • ECWPC36Q |
| • ECAFRC30QL | • ECVGS40Q | • ECWPC44Q |
| • ECAFS30Q | • ECVN34Q | • ECWPC45Q |
| • ECAFS31Q | • ECVN40Q | • ECWPR22GR |
| • ECAFS32Q | • ECVN43Q | • ECWPR22HC |
| • ECAFSC30Q | • ECVN44Q | • ECWPR25GR |
| • ECAL50Q | • ECVN55Q* | • ECWPR25HC |
| • ECBOFGQ* | • ECVNGL40Q | • ECWPR25OF |
| • ECBOFLQ* | • ECVNR34Q | • ECWPR40GR |
| • ECBOFRLQ* | • ECWCTRDC3 | • ECWPR40HC |
| • ECBOGQ* | • ECWCTRSC3* | • ECWPS22GR |
| • ECBOLQ* | • ECWH15Q | • ECWPS22HC |
| • ECBOLQSS* | • ECWP15Q | • ECWPS22OF |
| • ECBORLQ* | • ECWP20Q | • ECWPS25GR |
| • ECBORLQSS* | • ECWP34Q | • ECWPS25HC |
| • ECBOSFGQ* | • ECWP35Q | • ECWPS25OF |
| • ECBOSFLQ* | • ECWP36Q | |

*Also Available on Amber Models.

