

ECAFRC30QL **ThermaLED** technology

ThermaLED Aeroform Round Garage Lighter



12802 COMMODITY PL
TAMPA, FL 33626
PHONE: 844-636-2036
SALES@ECO-REVOLUTION.COM

REVOLUTION WWW.ECO-REVOLUTION.COM
A QSSI COMPANY SINCE 1985



L70
(25°C) **327,000 Hours**



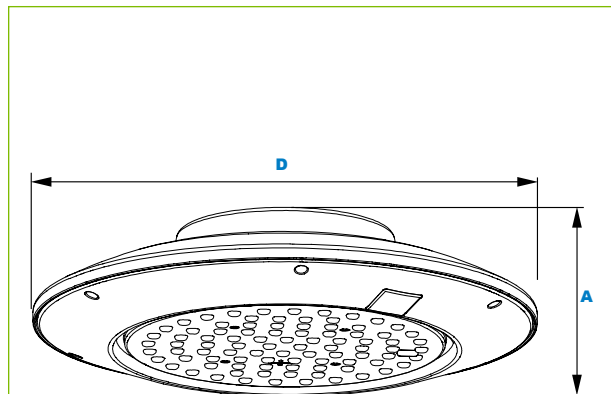
Shown with LumaLens Option

The Eco-Revolution ECAFRC30QL Aeroform Architectural Round Garage Lighter is available in a rectangular wide distribution designed to replace HID lighting systems up to 250w MH or HPS. Typical parking garage applications include retail centers, industrial parks, schools and universities, public transport and airports, office buildings and medical facilities. Mounting heights of 8 to 16 feet can be used based on light level and uniformity requirements.

Specifications and Features:

Housing:	Die Cast and Sand Cast Aluminum Housing, Integral Heat Sinking. Includes 3' Cord.
Listing & Ratings:	ETL: Listed for Wet Locations, ANSI/UL 1598, 8750; IP65 (IP66 with Pendant (PA) and Trunnion (T) Mounts Only)
Finish:	Bronze or White Powdercoat Finish Over a Chromate Conversion Coating. Custom Colors Available Upon Request
Lens:	Molded UV-Stabilized Polycarbonate Vandal-Resistant Array Lens or SoftLED LumaLens Opal UV-Stabilized Polycarbonate Vandal-Resistant Lens Designed for Garage Lighting Applications. Gasketed to Seal LED Array.
Mounting Options:	Surface Mount Model (NM) Includes Easy-Hang Bracket Allowing One-Person Installation, Fits Standard 4" Electrical Box. Adjustable Height Trunnion (T) and Pendant (PA) Models are Shipped Ready For Field Installation of the Mount. Mounts are Shipped in a Separate Carton.
ThermaLED LED:	Aluminum Boards
Wattage:	37w Array: 37w, System: 39.4w; (70-150w HID Equivalent) 65w Array: 65.3w, System: 72w; (150-250w HID Equivalent) 100w Array: 100w, System: 114w; (150-250w HID Equivalent)
Driver:	Electronic Driver, 120-277V, 50/60Hz or 347-480V, 50/60Hz; Less Than 20% THD and PF>0.90. Standard Internal Surge Protection 6kV. 0-10V Dimming Standard for a Dimming Range of 100% to 10%; Dimming Source Current is 150 Microamps.
Controls:	Fixtures Ordered with Factory-Installed Motion Sensor Controls are Internally Wired for Switching and/or 1-10V Dimming Within the Housing. Remote Direct Wired Interface of 1-10V Dimming is Not Implied and May Not Be Available, Please Consult Factory. Fixtures are Tested with Eco-Revolution Controls and May Not Function Properly With Controls Supplied By Others. Fixtures are NOT Designed for Use with Line Voltage Dimmers.
Warranty:	5-Year Warranty for -40°C to +50°C Environment.

See Page 3 for Projected Lumen Maintenance Table.



Dimensions

Diameter (D) 18" (457mm)

Height (A) 4" (104mm)

Certification & Listings:



Project Information:

Project Name: _____

Complete Catalog #: _____

Comments: _____

Fixture Type: _____

Date: _____

5 LOCATIONS
Tampa, FL
Vancouver, WA
Cerritos, CA
Walden, NY
Memphis, TN

ECAFRC30QL ThermaLED technology

ThermaLED Aeroform Round Garage Lighter



1 2802 COMMODITY PL
TAMPA, FL 33626
PHONE: 844-636-2036
SALES@ECO-REVOLUTION.COM
WWW.ECO-REVOLUTION.COM

Order Information Example:

ECAFRC30QL1X65U5KCZNMSP

ECAFRC30Q

Model	Optics	Wattage	Driver	CCT	Lens	Color	Mounting	Options
ECAFRC30Q = ThermaLED Aeroform Round Garage Lighter	F =Type V L =Rectangular Wide	1X37 =37w 1X65 =65w 1X100 =100w* *F Optic Only	U =120-277V H =347-480V	3K =3000K 4K =4000K 5K =5000K *F Optic Only	C =Clear UV-Stabilized Polycarbonate Array Lens L =SoftLED LumaLens Opal UV-Stabilized Polycarbonate Lens* *F Optic Models Only	Z =Bronze W =White C =Custom (Consult Factory)	NM =Easy-Hang Bracket Only T =Trunnion* PA =Pendant* *Mounting Shipped Separately	SF =Single Fuse* DF =Double Fuse* SP =Surge Protection S2 =Microwave Sensor with Dimming for Mounting Heights of 8' to 40'* S4 =Microwave On/Off Motion Sensor for Mounting Heights of 8' to 19'* BU =Battery Backup, 90 Minutes (Up to 65w Max)* BUC =Cold Start Battery Backup, -20°C, 90 Minutes (Up to 65w Max)* *120-277V Models Only.

Accessories & Replacement Parts:

Replacement Parts (Order Separately, Field Installed)	
ECAF30PCLL	SoftLED LumaLens Opal UV-Stabilized Polycarbonate Vandal-Resistant Lens
ECAF30T*	Height Adjustable Trunnion, Stamped Heavy Duty Steel, Powdercoat Finish
ECPK3415*	Pendant Mount Kit Includes Top & Bottom Cover, Brackets, 3/4" Dia X 15" L Downrod, and Hardware. Powdercoat Finish
ECP17117	Internal Microwave Sensor with Dimming for Mounting Heights of 8 to 40'. 120-277VAC, 50/60Hz
ECP17123	Internally Mounted Microwave On/Off Motion Sensor for Mounting Heights of 8' to 19', 120-277VAC, 50/60Hz
*Specify Color: Z=Bronze, W=White, C=Custom (Consult Factory)	
For Replacement Battery Backup, see the Eco-Revolution LED Battery Backup Specification Sheet.	



Mounting Options:



ECAFRC30QL with Easy-Hang Bracket (NM)

Stamped Steel 2-Piece Bracket Allows One-Person Installation. Mounts Directly to Standard 4" Electrical Box



ECAFRC30QL with Adjustable Trunnion Mount (T)

Stamped Steel Height Adjustable Trunnion, Powdercoat Finish, Includes Hardware



ECAFRC30QL with Pendant Mount (PA)

Includes Top and Bottom Covers, Brackets, and 3/4" Diameter, 15" Long Downrod, Powdercoat Finish, Includes Hardware.

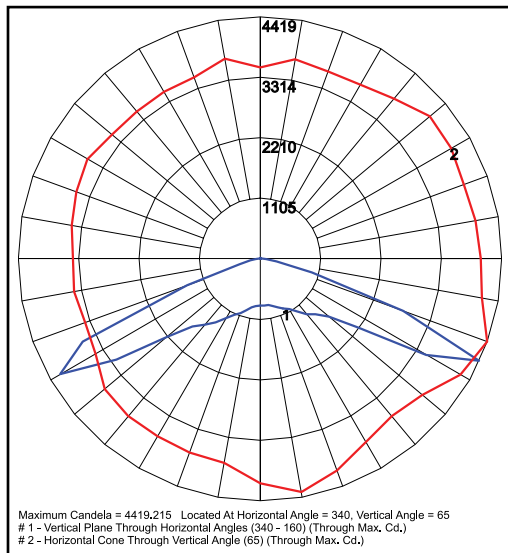
ECAFRC30QL ThermaLED technology

ThermaLED Aeroform Round Garage Lighter

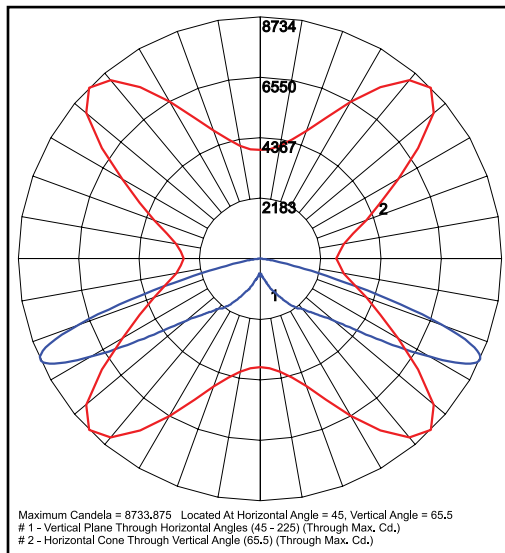


12802 COMMODITY PL
TAMPA, FL 33626
PHONE: 844-636-2036
SALES@ECO-REVOLUTION.COM
WWW.ECO-REVOLUTION.COM

Photometric Data



ECAFRC30QL1X65U5KC - Clear Lens



ECAFRC30QF1X100U4KC - Clear Lens

Photometric Performance

Optic	CCT	Wattage (Catalog Logic)			
		37W (1X37)	65W (1X65)	100W (1X100)	
		Input Watts	42.2	74.1	114
		Delivered Lumens			
ECAFRC30Q F = Type V	3000K	5,280	9,277	14,272	
	4000K	5,495	9,653	14,851	
	5000K	5,709	10,029	15,429	
ECAFRC30Q L=Rectangular Wide	3000K	-	-	-	
	4000K	5,327	9,969	-	
	5000K	5,534	10,357	-	

Projected Lumen Maintenance

Data shown for 5000 CCT		Compare to MH				
TM-21-11	Input Watts	Initial	25,000 Hrs	50,000 Hrs	100,000 Hrs	Calculated LED Life
L70 Lumen Maintenance @ 25°C / 77°F	All wattages up to and including 114w	1.00	0.98	0.97	0.94	473,000
L70 Lumen Maintenance @ 50°C / 122°F		1.00	0.97	0.93	0.87	226,000
L80 Lumen Maintenance @ 40°C / 104°F		1.00	0.98	0.97	0.93	290,000

NOTES:

1. Projected per IESNA TM-21-11. Data references the extrapolated performance projections for the base model in a 25°C ambient, based on 10,000 hours of LED testing per IESNA LM-80-08.
2. Compare to MH box indicates suggested Light Loss Factor (LLF) to be used when comparing to Metal Halide (MH) systems.