

ECARCH15

30" Hub Mount Shepherd's Crook



12802 COMMODITY PL
TAMPA, FL 33626
PHONE: 844-636-2036
SALES@ECO-REVOLUTION.COM
WWW.ECO-REVOLUTION.COM

REVOLUTION
A QSSI COMPANY SINCE 1985

Order Information Example: ECARCH15SGNTENBK

ECARCH15		TEN		
Model	# Of Arms	Scroll	Mount	Finish
	SG =Single DB =Double	N =None SCR1 =Scroll 1 SCR2 =Scroll 2 SCR3 =Scroll 3 SCR4 =Scroll 4 SCR5 =Scroll 5	TEN =Tenon* *5/8" Tall Tenon Required	STANDARD FINISHES BK =Black BZ =Bronze DBZ =Dark Bronze WH =White GR =Green SM =Silver Metallic GY =Light Gray TBK =Textured Black* CC =Custom Color (Consult Factory) *Matches Eco-Revolution B-Black Finish



EPA of Bracket (No Scrolls): 1.4
EPA of Bracket (Scrolls): 1.7
Weight Load: 65 lbs.



EPA of Bracket (No Scrolls): 2.9
EPA of Bracket (Scrolls): 3.2
Weight Load: 65 lbs./Per Arm

Specifications and Features:

Specifications:

Eco-Revolution's ECARCH15 Hub Mount Shepherd's Crook is a 30" Crook Constructed of Seamless Aluminum Tubing. Eco-Revolution's Shepherd's Crooks Include Factory Installed Rubber Grommets for Wireways, Press-On End Caps and Set Screw Shaft Mounting connections for Easy Orientation Adjustment in the Field.

Finish:

Super Durable Polyester Powdercoat Finish. Custom Finishes, Including Patinas and All RAL Colors (Adder).

Requirements:

The ECARCH15 Shepherd's Crook Requires a 5/8" Tall Tenon (If Using an Eco-Revolution Pole, Choose the T355 Tenon) and No Sleeve.

Warranty:

5 Year Limited Warranty on Paint Finish Only.

Project Information:

Project Name: _____ Fixture Type: _____

Complete Catalog #: _____ Date: _____

Comments: _____

5 LOCATIONS
Tampa, FL
Vancouver, WA
Cerritos, CA
Walden, NY
Memphis, TN

ECARCH15

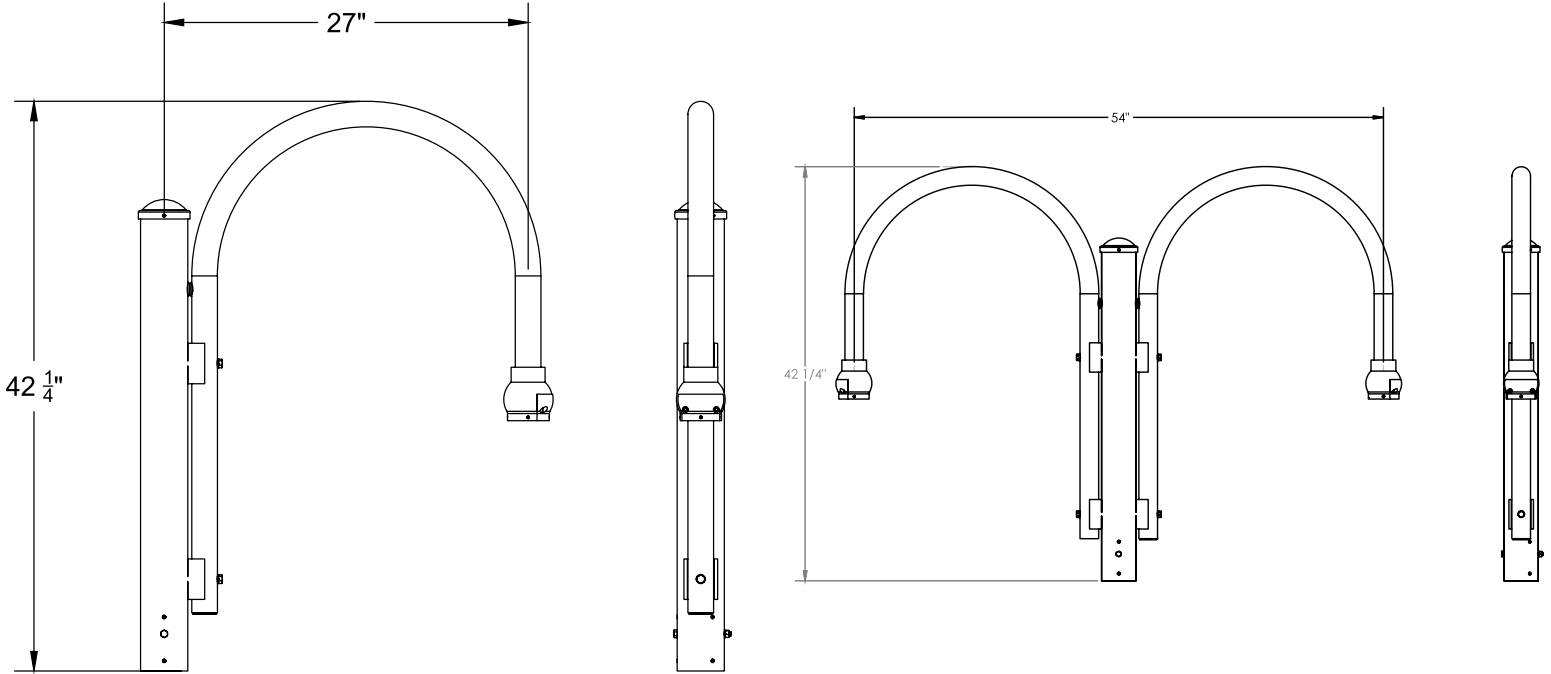
30" Hub Mount Shepherd's Crook



12802 COMMODITY PL
TAMPA, FL 33626
PHONE: 844-636-2036
SALES@ECO-REVOLUTION.COM

REVOLUTION WWW.ECO-REVOLUTION.COM
A QSSI COMPANY SINCE 1985

Dimensions



Scroll Options

Scroll 1



Scroll 2



Scroll 3



Scroll 4



Scroll 5

