

ECFB

Flag Pole Holder



12802 COMMODITY PL
TAMPA, FL 33626
PHONE: 844-636-2036
SALES@ECO-REVOLUTION.COM
WWW.ECO-REVOLUTION.COM

REVOLUTION
A QSSI COMPANY SINCE 1985

Order Information Example:		ECFPCS4BK	
Model	Pole Style	Pole OD	Finish
ECFPC=Clamp-On Flagholder ECFPB=Bolt-On Flagholder (Must Indicate Location)	S=Smooth F=Fluted	4=4" OD 5=5" OD	STANDARD FINISHES BK =Black BZ =Bronze DBZ =Dark Bronze WH =White GR =Green SM =Silver Metallic GY =Light Gray TBK =Textured Black* CC =Custom Color (Consult Factory)
*Matches Eco-Revolution B-Black Finish			

Specifications and Features:

Materials:

Flagpole holders consist of a one piece aluminum alloy tubing welded at a 45° angle to a mounting foot. Flagpole holders are heat treated to a T6 hardness for maximum strength. All hardware is stainless steel. Holders are 1" OD. Contact the factory for custom options.

Installation:

The bolt-on flagpole holders (ECFPB) bolt to the side of the post with four stainless steel screws. Location must be specified.

Finish:

Clamp-on mountings (ECFPC) clamp around the post (4" or 5" OD) and are secured with two 1/4" stainless steel

Super Durable Polyester Powdercoat Finish. Custom Finishes Available, Including Patinas And All RAL Colors.

Warranty:

5 Year Limited Warranty



ECFPBS



ECFPCS



ECFPCF

Project Information:	Project Name: _____	Fixture Type: _____
	Complete Catalog #: _____	Date: _____
	Comments: _____	_____
	_____	_____

5 LOCATIONS
Tampa, FL
Vancouver, WA
Cerritos, CA
Walden, NY
Memphis, TN

ECFB

Flag Pole Holder



12802 COMMODITY PL
TAMPA, FL 33626
PHONE: 844-636-2036
SALES@ECO-REVOLUTION.COM
WWW.ECO-REVOLUTION.COM

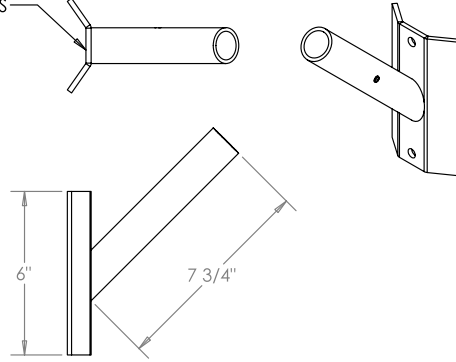
REVOLUTION
A QSSI COMPANY SINCE 1985

Dimensions



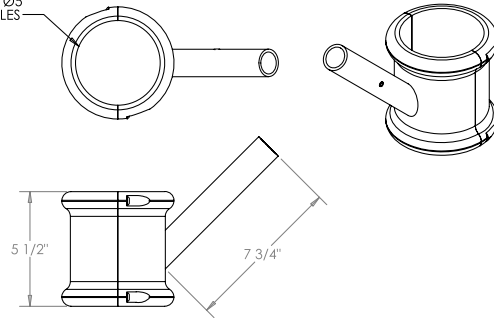
ECFPBS

FITS Ø4" / Ø5"
O.D. POLES



ECFPCS

FITS Ø4" / Ø5"
O.D. POLES



ECFPCF

FITS Ø4" / Ø5"
O.D. POLES

