

ECLV1AQ ThermaLED technology

ThermaLED 12" Linear LED Die Cast



12802 COMMODITY PL
TAMPA, FL 33626
PHONE: 844-636-2036
SALES@ECO-REVOLUTION.COM
WWW.ECO-REVOLUTION.COM

Order Information Example: ECLV1A0QF37U5KCP

Model	Optics	Wattage	Driver	CCT	Lens	Color
ECLV1A0Q = ThermaLED Open Frame 12" Linear LED Die Cast ECLV1AHQ = ThermaLED Horizontal Hood 12" Linear LED Die Cast ECLV1AVQ = ThermaLED Vertical Hood 12" Linear LED Die Cast	F =Wide	22 =22w 37 =37w	U =120-277V	4K =4000K 5K =5000K	C =Clear UV-Stabilized Polycarbonate Vandal-Resistant Lens L =SoftLED LumaLens Opal UV-Stabilized Polycarbonate Vandal-Resistant Lens	P =Platinum C =Custom (Consult Factory)



L70 (25°C) **187,000 Hours**

The Eco-Revolution ECLV1A series wall, pendant and ceiling mount luminaire is available with clear or LumaLens lenses, and open, vertical half or horizontal half door frames designed to replace HID lighting systems from 70w to 175w MH or HPS. Typical lighting applications include retail centers, industrial parks, schools and universities, public transit and airports, office buildings and medical facilities. Mounting heights of 8 to 18 feet can be used based on light level and uniformity requirements.

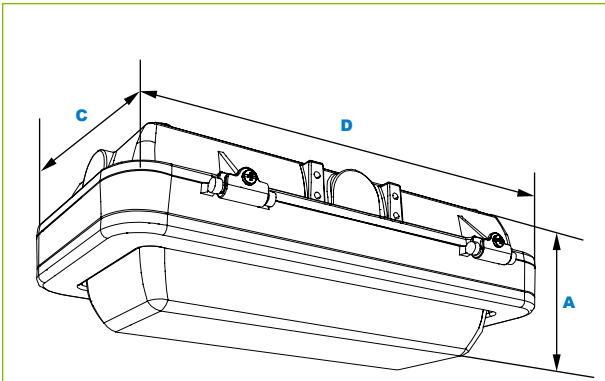


Specifications and Features:

Housing:	Heavy-Duty Die Cast Aluminum Housing and Top Frame. Can Be Tapped for Side Conduit Entry.
Listing & Ratings:	CSA: Listed for Wet Locations, ANSI/UL 1598, 8750 IP66 Sealed LED Compartment.
Finish:	Platinum Powdercoat Finish Over a Chromate Conversion Coating. Custom Colors Available Upon Request.
Lens:	Clear UV-Stabilized Polycarbonate or SoftLED LumaLens Opal UV-Stabilized Polycarbonate Vandal-Resistant Lens
Mounting Options:	Surface Mount or Use Optional 1/2" NPS Adjustable Threaded Knuckle, Stainless Steel Quick-Mount Bracket, Adjustable Bracket or Yoke.
ThermaLED LED:	Aluminum Boards
Wattage:	22w: Array: 22w, System: 26.4w; (70w HID Equivalent) 37w: Array: 37.2w, System: 43.4w; (175w HID Equivalent)
Driver:	Electronic Driver, 120-277V, 50/60Hz; Less Than 20% THD and PF>0.90. Standard Internal Surge Protection is 2kV for 22w, 6kV for 37w. 0-10V Dimming Standard for a Dimming Range of 100% to 10%; Dimming Source Current is 150 Microamps.
Warranty:	5-Year Warranty for -40°C to +50°C Environment.

See Page 3 for Projected Lumen Maintenance Table.

Certification & Listings:



Dimensions	
Width (D)	12 1/8" (309mm)
Length (C)	7" (178mm)
Height (A)	ECLV1A0Q: 4" (102mm) ECLV1AHQ & ECLV1AVQ: 4 1/4" (107mm)

Project Information:	Project Name: _____	Fixture Type: _____
	Complete Catalog #: _____	Date: _____
	Comments: _____	_____

5 LOCATIONS
Tampa, FL
Vancouver, WA
Cerritos, CA
Walden, NY
Memphis, TN

Accessories & Replacement Parts:

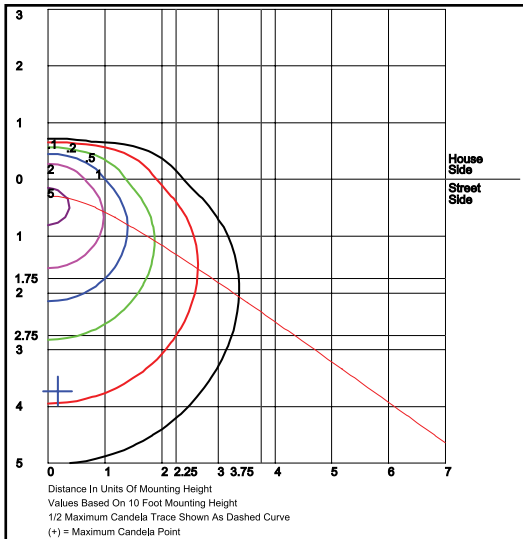


Mounting Accessories (Order Separately, Field Installed)	
ECLVAQM	Stainless Steel Quick Mount Bracket
ECLVABRSS	Stainless Steel Adjustable Bracket, Set of Two
ECLV1AYSS	Stainless Steel Yokes for ECLV1A, Includes Hardware.
ECFLST1P	1/2" NPS Threaded Adjustable Knuckle, Platinum Finish.

Replacement Parts (Order Separately, Field Installed)	
ECLV1ALL	SoftLED LumaLens Opal UV-Stabilized Polycarbonate Vandal-Resistant Lens
ECLV1APC	Clear UV-Stabilized Polycarbonate Vandal-Resistant Lens

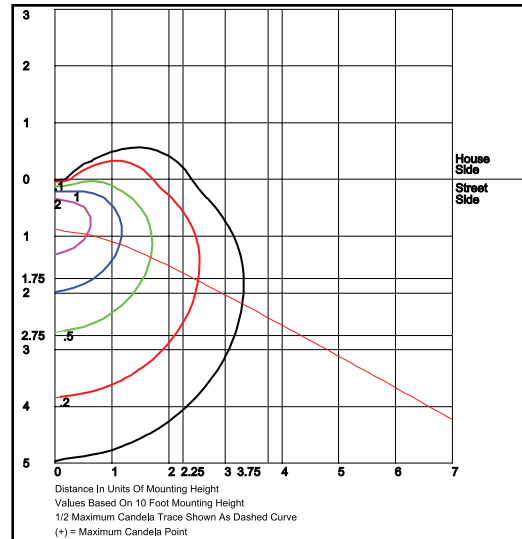
*Shown Mounted

Photometric Data For Wall Light Applications



ECLV1AHQF37U5KL
Wide Optic

Grid in MH
MH=10 Feet



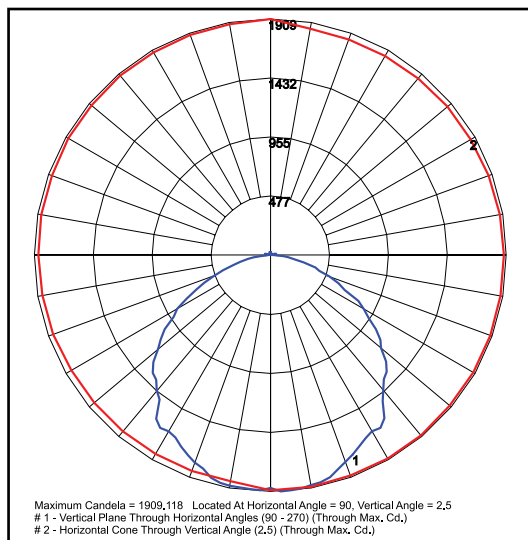
ECLV1AVQF37U5KL
Wide Optic

Grid in MH
MH=10 Feet

Photometric Performance For Wall Light Applications

LED Board Watts	Drive Current (mA)	Input Watts	Optics	5000 CCT 80 CRI			4000 CCT 80 CRI						
				Lumens	LPW	B U G	Lumens	LPW	B U G				
ThermaLED 22w (Clear Lens)	116	26	Horizontal Frame -Type III	3,126	120	1	2	1	3,001	115	1	2	1
ThermaLED 22w (LumaLens)			Horizontal Frame -Type IV	2,369	91	1	3	2	2,274	88	1	3	1
ThermaLED 22w (Clear Lens)			Vertical Frame -Type III	3,305	127	1	2	1	3,172	122	1	2	1
ThermaLED 22w (LumaLens)			Vertical Frame -Type III	2,705	104	1	3	1	2,597	100	1	3	1
ThermaLED 37w (Clear Lens)		43	Horizontal Frame -Type III	4,879	114	2	3	2	4,684	109	2	3	2
ThermaLED 37w (LumaLens)			Horizontal Frame -Type IV	4,071	95	1	3	2	3,908	91	1	3	2
ThermaLED 37w (Clear Lens)			Vertical Frame -Type II	5,292	123	2	3	1	5,081	118	2	3	1
ThermaLED 37w (LumaLens)			Vertical Frame -Type II	4,399	102	2	3	2	4,223	98	1	3	2

Photometric Data For Canopy/Ceiling Light Applications



ECLV1AQF37U5KC
Wide Optic

Photometric Performance For Canopy/Ceiling Light Applications

LED Board Watts	Drive Current (mA)	Input Watts	Optics	Spacing Criteria	5000 CCT 80 CRI		4000 CCT 80 CRI	
					Lumens	LPW	Lumens	LPW
ThermaLED 22w (Clear Lens)	116	26	Open Frame (110° x 110°)	1.34	3,332	128	3,199	123
ThermaLED 22w (LumaLens)			Open Frame (110° x 120°)	1.26	2,945	113	2,828	109
ThermaLED 37w (Clear Lens)		43	Open Frame (110° x 110°)	1.26	5,538	129	5,316	124
ThermaLED 37w (LumaLens)			Open Frame (110° x 120°)	1.26	4,948	115	4,750	111

Projected Lumen Maintenance

Data shown for 5000 CCT		Compare to MH				
TM-21-11	Input Watts	Initial	25,000 Hrs	50,000 Hrs	100,000 Hrs	Calculated LED Life
L70 Lumen Maintenance @ 25°C / 77°F	All wattages up to and including 43w	1.00	0.96	0.92	0.84	187,000
L70 Lumen Maintenance @ 50°C / 122°F		1.00	0.93	0.86	0.72	109,000
L80 Lumen Maintenance @ 40°C / 104°F		1.00	0.94	0.88	0.76	84,000

NOTES:

1. Projected per IESNA TM-21-11. Data references the extrapolated performance projections for the 116mA base model in a 25°C ambient, based on 10,000 hours of LED testing per IESNA LM-80-08.
2. Compare to MH box indicates suggested Light Loss Factor (LLF) to be used when comparing to Metal Halide (MH) systems.