

# ECSTP10Q AmberLED

## AmberLED Step Light



12802 COMMODITY PL  
TAMPA, FL 33626  
PHONE: 844-636-2036  
SALES@ECO-REVOLUTION.COM  
WWW.ECO-REVOLUTION.COM



Black



Bronze

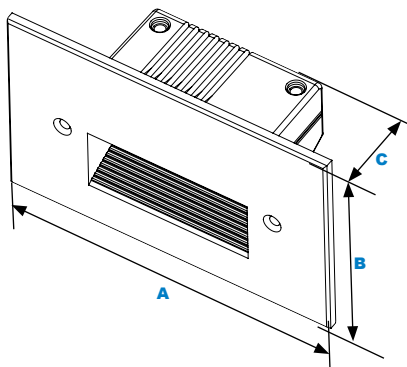


White

The Eco-Revolution AmberLED STP10Q Step Light provides fully shielded lighting for indoor night lighting and for outdoor path, walkways and landscape areas designed for wildlife, dark skies, or security applications requiring monochromatic AMBER light. LEDs operate between 585 and 595 nm, greater than 560nm required for wildlife protection and circadian rhythm indoor applications. These fixtures are ideal for retail centers, parks, restaurants, hotels, schools and universities, office buildings, care homes and medical facilities.

### Specifications and Features:

<b>Housing:</b>	Die-Cast Aluminum Housing and Heatsink.
<b>Listing &amp; Ratings:</b>	ETL: Listed for Wet Locations, ANSI/UL 1598, 8750 IP66 Sealed LED Compartment.
<b>Finish:</b>	Textured Black, Bronze, or White Powdercoat Finish Over a Chromate Conversion Coating. Custom Colors Available Upon Request.
<b>Lens:</b>	Frosted Tempered Glass Array Lens
<b>Mounting Options:</b>	Mounts to Standard Single Gang Junctions Box with (2) 1½" – 6-32 Philips Bevel Head Stainless Steel Screws.
<b>AmberLED:</b>	Aluminum Boards
<b>Wattage:</b>	Array: 4w, System: 3.2w
<b>Driver:</b>	On-Board Electronic Driver, 120V, 50/60Hz; Less Than 20% THD and PF>0.90.
<b>Warranty:</b>	2-Year Warranty for -20°C to +40°C Environment.



#### Dimensions

<b>Width(A)</b>	5" (127mm)
<b>Height (B)</b>	3" (78mm)
<b>Depth (C)</b>	1¼" (45mm)

#### Certification & Listings:



#### Project Information:

Project Name: \_\_\_\_\_ Fixture Type: \_\_\_\_\_

Complete Catalog #: \_\_\_\_\_ Date: \_\_\_\_\_

Comments: \_\_\_\_\_

**5 LOCATIONS**  
Tampa, FL  
Vancouver, WA  
Cerritos, CA  
Walden, NY  
Memphis, TN

# ECSTP10Q AmberLED

## AmberLED Step Light



12802 COMMODITY PL  
TAMPA, FL 33626  
PHONE: 844-636-2036  
SALES@ECO-REVOLUTION.COM

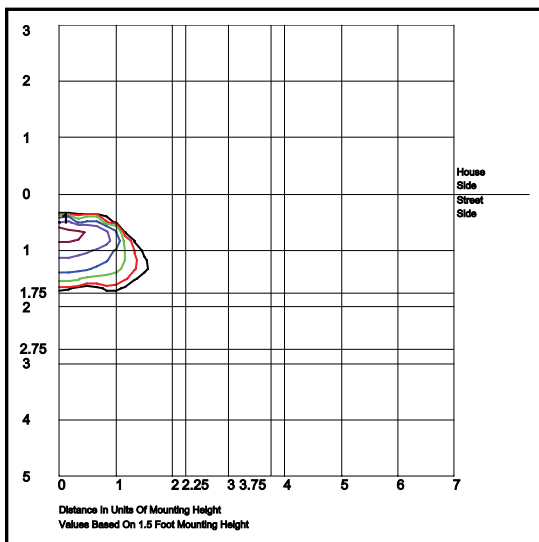
REVOLUTION WWW.ECO-REVOLUTION.COM  
A QSSI COMPANY SINCE 1985

### Order Information Example:

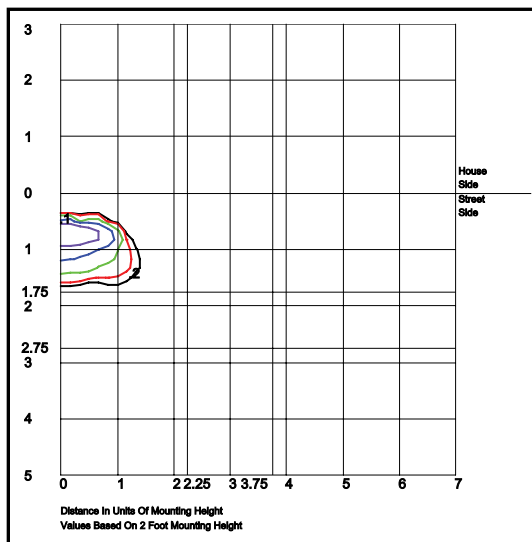
ECSTP10QF1X4120AMB

ECSTP10Q	F	1X4	120	AM	
Model	Optic	Wattage	Driver	CCT	Color
ECSTP10Q=AmberLED Step Light	F=Type V	1X4=4w	120=120V	AM=1400K	Z=Bronze B=Black W=White C=Custom (Consult Factory)

### Photometric Data

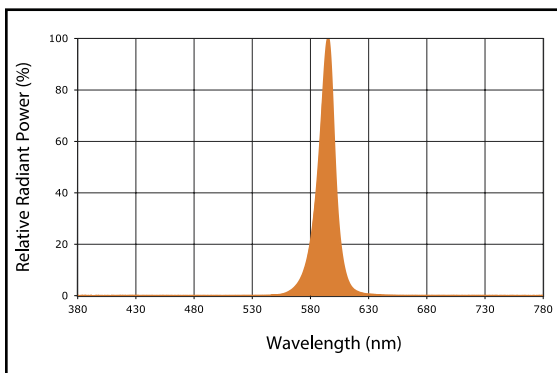


ECSTP10QF1X4120AM  
Type V  
Mounted 12" Above Floor



ECSTP10QF1X4120AM  
Type V  
Mounted 18" Above Floor

### Spectral Chart



### Photometric Performance

LED Board Watts	Input Watts	Optic	Amber 590 nm			
			Lumens	B	U	G
LED 4w	3.2	Type V	5	0	0	0