

ECSTP10Q

LED Step Light



12802 COMMODITY PL
TAMPA, FL 33626
PHONE: 844-636-2036
SALES@ECO-REVOLUTION.COM

REVOLUTION WWW.ECO-REVOLUTION.COM
A QSSI COMPANY SINCE 1985



Black



Bronze

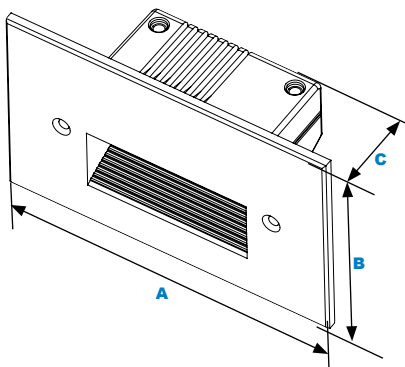


White

The Eco-Revolution LED ECSTP10Q Step Light provides fully shielded lighting for outdoor path, walkways and landscape areas. Optics are designed to replace outdated Halogen and Compact Fluorescent lighting systems. These fixtures are ideal for retail centers, restaurants, hotels, schools and universities, public transit and airports, office buildings and medical facilities.

Specifications and Features:

Housing:	Die-Cast Aluminum Housing and Heatsink.
Listing & Ratings:	ETL: Listed for Wet Locations, ANSI/UL 1598, 8750 IP66 Sealed LED Compartment.
Finish:	Textured Black, Bronze, or White Powdercoat Finish Over a Chromate Conversion Coating. Custom Colors Available Upon Request.
Lens:	Frosted Tempered Glass Array Lens
Mounting Options:	Mounts to Standard Single Gang Junctions Box with (2) 1½" – 6-32 Philips Bevel Head Stainless Steel Screws.
LED:	Aluminum Boards
Wattage:	Array: 4w, System: 3.2w
Driver:	On-Board Electronic Driver, 120V, 50/60Hz; Less Than 20% THD and PF>0.90.
Warranty:	2-Year Warranty for -20°C to +40°C Environment.



Dimensions

Width(A)	5" (127mm)
Height (B)	3" (78mm)
Depth (C)	1¼" (45mm)

Certification & Listings:



Project Information:

Project Name: _____

Fixture Type: _____

Complete Catalog #: _____

Date: _____

Comments: _____

5 LOCATIONS
Tampa, FL
Vancouver, WA
Cerritos, CA
Walden, NY
Memphis, TN

ECSTP10Q

LED Step Light



12802 COMMODITY PL
TAMPA, FL 33626
PHONE: 844-636-2036
SALES@ECO-REVOLUTION.COM
WWW.ECO-REVOLUTION.COM

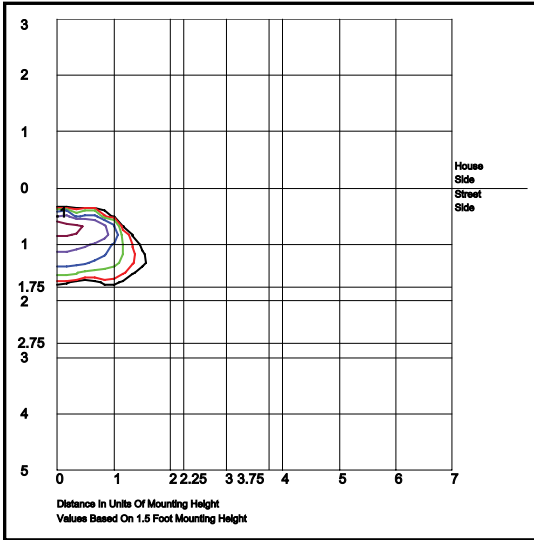
REVOLUTION
A QSSI COMPANY SINCE 1985

Order Information Example:

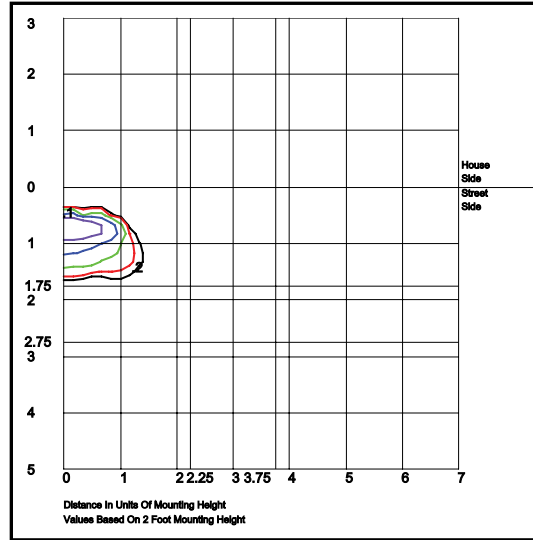
ECSTP10QF1X41204KB

ECSTP10Q	F	1X4	120	4K	
Model	Optic	Wattage	Driver	CCT	Color
ECSTP10Q=LED Step Light	F=Type V	1X4=4w	120=120V	4K=4000K	Z=Bronze B=Black W=White C=Custom (Consult Factory)

Photometric Data



ECSTP10QF1X41204K
Type V
Mounted 18" Above Floor



ECSTP10QF1X41204K
Type V
Mounted 24" Above Floor

Photometric Performance

LED Board Watts	Input Watts	Optic	4000 CCT 80 CRI			
			Lumens	B	U	G
LED 4w	3.2	Type V	12	0	0	0