

ECVGS40Q **ThermaLED** Technology

ThermaLED Garage Square



12802 COMMODITY PL
TAMPA, FL 33626
PHONE: 844-636-2036
SALES@ECO-REVOLUTION.COM
WWW.ECO-REVOLUTION.COM

REVOLUTION
A QSSI COMPANY SINCE 1985



L70
(25°C) **138,000 Hours**



Easy Hang Mount (NM)



Trunnion (T)



Pendant (P)

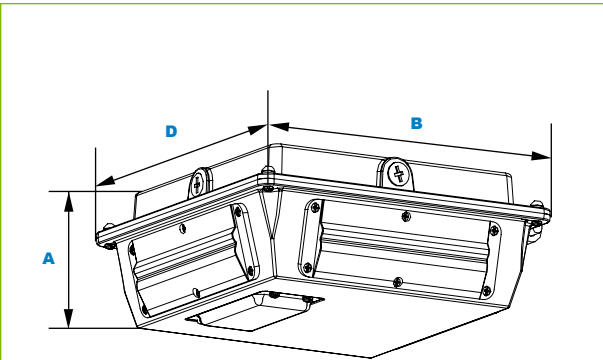
The Eco-Revolution ECVGS40Q garage square luminaire with optional integral sensor is available in three wattages with an optical distribution designed to replace HID lighting systems up to 175w MH or HPS. Typical parking garage applications include retail centers, industrial parks, schools and universities, public transit and airports, office buildings and medical facilities. Mounting heights of 8 to 16 feet can be used based on light level and uniformity requirements.

Specifications and Features:

Housing:	Die Cast Aluminum Housing, 1/2" Coin Plugs with O-rings for Conduit or External Sensor. Built-in Sensor Housing with Color-Matched UV-Stabilized Polycarbonate Cover.
Listing & Ratings:	CSA: Listed for Wet Locations, ANSI/UL 1598, 8750. IP66 Sealed LED Compartment.
Finish:	Textured Architectural Bronze Powdercoat Finish Over a Chromate Conversion Coating. Custom Colors Available Upon Request.
Lens:	Molded UV-Stabilized Polycarbonate Lens Optically Designed for Garage Lighting Applications.
Mounting Options:	Surface Mount Model (NM) Includes Easy-Hang Bracket Allowing One-Person Installation, Fits Standard 4" Electrical Box. Adjustable Height Trunnion (T) and Pendant (PA) Models are Shipped Ready For Field Installation of the Mount. Mounts are Shipped in a Separate Carton.
ThermaLED LED:	Aluminum Boards
Wattage:	40w Array: 37w, System: 40w; (Up to 100w HID Equivalent) 60w Array: 53w, System: 60w; (Up to 175w HID Equivalent) 84w Array: 74w, System: 84w; (Up to 175w HID Equivalent)
Driver:	Electronic Driver, 120-277V, 50/60Hz or 347-480V, 50/60Hz; Less Than 20% THD and PF>0.90. Standard Internal Surge Protection 6kV. 0-10V Dimming Standard for a Dimming Range of 100% to 10%; Dimming Source Current is 150 Microamps.
Controls:	Fixtures Ordered with Factory-Installed Photocell or Motion Sensor Controls are Internally Wired for Switching and/or 1-10V Dimming Within the Housing. Remote Direct Wired Interface of 1-10V Dimming is Not Implied and May Not Be Available, Please Consult Factory. Fixtures are Tested with Eco-Revolution Controls and May Not Function Properly With Controls Supplied By Others. Fixtures are NOT Designed for Use with Line Voltage Dimmers.
Warranty:	5-Year Warranty for -40°C to +50°C Environment.

See Page 3 for Projected Lumen Maintenance Table

Certification & Listings:



Dimensions	
Width (D)	11" (280mm)
Length (B)	11" (280mm)
Height 1 (A)	4 1/2" (117mm)
Height with Bracket (A)	5" (125mm)

Project Information:

Project Name: _____ Fixture Type: _____

Complete Catalog #: _____ Date: _____

Comments: _____

5 LOCATIONS
Tampa, FL
Vancouver, WA
Cerritos, CA
Walden, NY
Memphis, TN

ECVGS40Q ThermaLED technology

ThermaLED Garage Square



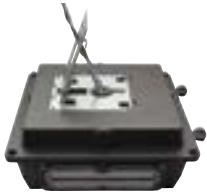
1 2802 COMMODITY PL
TAMPA, FL 33626
PHONE: 844-636-2036
SALES@ECO-REVOLUTION.COM

REVOLUTION WWW.ECO-REVOLUTION.COM
A QSSI COMPANY SINCE 1985

Order Information Example: ECVGS40QF1X84U4KZPAS2

Model	Optics	Wattage	Driver	CCT	Color	Mounting	Options
ECVGS40Q	F			4K			
VGS40Q = LED Garage Square	F =Type VS	1X40 =40w 1X60 =60w 1X84 =84w	U =120-277V H =347-480V	4K =4000K	Z =Bronze C =Custom (Consult Factory)	NM =Easy-Hang Bracket Only T =Trunnion* PA =Pendant* *Mounting Shipped Separately	SF =Single Fuse* DF =Double Fuse* SP =Surge Protection S2 =Microwave Sensor with Dimming for Mounting Heights of 8' to 40'.* S4 =Microwave On/Off Motion Sensor for Mounting Heights of 8' to 19'.* BU =Battery Backup, 90 Minutes* BUC =Cold Start Battery Backup, -20°C, 90 Minutes* *120-277V Models Only.

Mounting Options:



ECVGS40Q with Easy-Hang Bracket (NM)

Stamped Steel 2-Piece Bracket Allows One-Person Installation. Mounts Directly to Standard 4" Electrical Box



ECVGS40Q with Adjustable Trunnion Mount (T)

Stamped Steel Height Adjustable Trunnion, Powdercoat Finish, Includes Hardware



ECVGS40Q with Pendant Mount (PA)

Includes Top and Bottom Covers, Brackets, and 3/4" Diameter, 15" Long Downrod, Powdercoat Finish, Includes Hardware.

Accessories & Replacement Parts:

Replacement Parts (Order Separately, Field Installed)

ECP17117	Internal Microwave Sensor with Dimming for Mounting Heights of 8 to 40'. 120-277VAC, 50/60Hz.
ECP17123	Internally Mounted Microwave On/Off Motion Sensor for Mounting Heights of 8' to 19', 120-277VAC, 50/60Hz

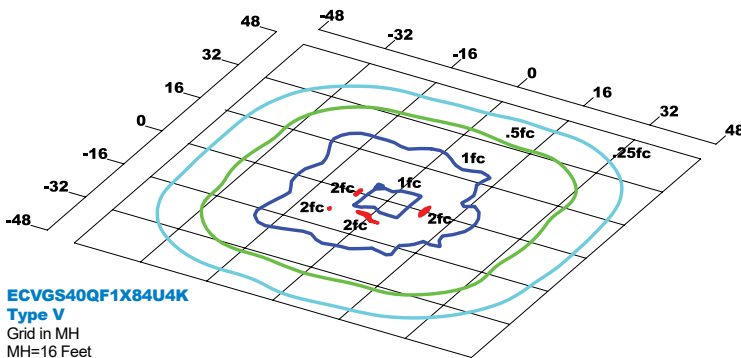
For Replacement Battery Backup, see the Eco-Revolution LED Battery Backup Specification Sheet.



ECP17117

ECP17123

Photometric Data



Photometric Performance

LED Board Watts	Drive Current (mA)	Input Watts	Optics	4000 CCT 80 CRI				
				Lumens	LPW	B	U	G
ThermaLED 37w	350	40	Type V	4,836	121	2	4	3
ThermaLED 53w	500	60		7,255	121	3	5	3
ThermaLED 74w	700	84		10,158	121	3	5	4

Projected Lumen Maintenance

Data shown for 4000 CCT		Compare to MH				
TM-21-11	Input Watts	Initial	25,000 Hrs	50,000 Hrs	100,000 Hrs	Calculated LED Life
Lumen Maintenance L70 @ 25°C / 77°F	All wattages up to and including 84w	1.00	0.95	0.89	0.78	138,000
Lumen Maintenance L70 @ 50°C / 122°F		1.00	0.86	0.72	0.43	53,000
Lumen Maintenance L80 @ 40°C / 104°F		1.00	0.92	0.84	0.68	62,000

NOTES:

1. Projected per IESNA TM-21-11. Data references the extrapolated performance projections for the 500mA base model in a 25°C ambient, based on 10,000 hours of LED testing per IESNA LM-80-08.
2. Compare to MH box indicates suggested Light Loss Factor (LLF) to be used when comparing to Metal Halide (MH) systems.