

ECVN40Q **ThermaLED** technology

ThermaLED Large Canopy



12802 COMMODITY PL
TAMPA, FL 33626
PHONE: 844-636-2036
SALES@ECO-REVOLUTION.COM

REVOLUTION WWW.ECO-REVOLUTION.COM
A QSSI COMPANY SINCE 1985

L70
(25°C) **177,000 Hours**



The Eco-Revolution ECVN40Q Large Canopy luminaire is available for surface or pendant mounting configurations with an optical distribution designed specifically to replace HID lighting systems up to 175w MH or HPS. Typical lighting applications include retail centers, industrial parks, schools and universities, public transit and airports, office buildings and medical facilities. Mounting heights of 12 to 20 feet can be used based on light level and uniformity requirements.

Specifications and Features:

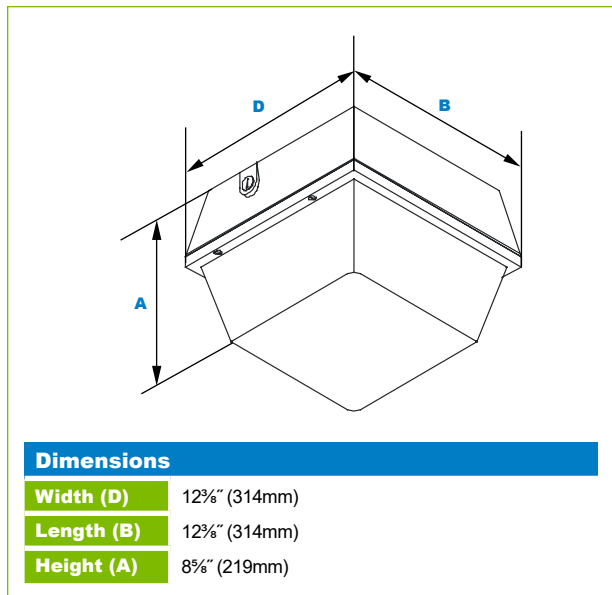
Housing:	Die Cast Aluminum Housing, 1/2" Coin Plugs with O-rings for Conduit & Photocell on Two Sides & Back, Nickel-Plated Stainless Steel Hardware.
Listing & Ratings:	CSA: Listed for Wet Locations, ANSI/UL 1598, 8750. (Damp Locations When Used with ECVNQM.) IP65 Sealed LED Compartment.
Finish:	Textured Architectural Bronze Powdercoat Finish Over a Chromate Conversion Coating. Custom Colors Available Upon Request.
Lens:	Standard Clear UV-Stabilized Polycarbonate Prismatic or SoftLED LumaLens Opal UV-Stabilized Polycarbonate Vandal-Resistant Lens
Mounting Options:	Mount Directly Over a 4" Recessed Outlet Box, or Use 1/2" Surface Conduit or Quick-Mount Bracket.
ThermaLED LED:	Aluminum Boards
Wattage:	Array: 45.4w, System: 52.6w; (175w HID Equivalent)
Driver:	Electronic Driver, 120-277V, 50/60Hz or 347-480V, 50/60Hz; Less Than 20% THD and PF>0.90. Standard Internal Surge Protection 6kV. 0-10V Dimming Standard for a Dimming Range of 100% to 10%; Dimming Source Current is 150 Microamps.
Controls:	Fixtures Ordered with Factory-Installed Photocell or Motion Sensor Controls are Internally Wired for Switching and/or 1-10V Dimming Within the Housing. Remote Direct Wired Interface of 1-10V Dimming is Not Implied and May Not Be Available. Please Consult Factory. Fixtures are Tested with Eco-Revolution Controls and May Not Function Properly With Controls Supplied By Others. Fixtures are NOT Designed for Use with Line Voltage Dimmers.
Warranty:	5-Year Warranty for -40°C to +40°C Environment.

See Page 3 for Projected Lumen Maintenance Table.

Certification & Listings:



DesignLights Consortium™
Qualified Luminaires:
ECVN40QF1X45U5KS*



Project Information:

Project Name: _____

Complete Catalog #: _____

Comments: _____

Fixture Type: _____

Date: _____

5 LOCATIONS
Tampa, FL
Vancouver, WA
Cerritos, CA
Walden, NY
Memphis, TN

ECVN40Q ThermaLED technology

ThermaLED Large Canopy



1 2802 COMMODITY PL
TAMPA, FL 33626
PHONE: 844-636-2036
SALES@ECO-REVOLUTION.COM
WWW.ECO-REVOLUTION.COM

REVOLUTION
A QSSI COMPANY SINCE 1985

Order Information Example: ECVN40QF1X45U5KSZSP

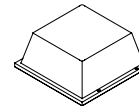
ECVN40Q	F	1X45					
Model	Optics	Wattage	Driver	CCT	Lens	Color	Options
ECVN40Q= ThermaLED Large Canopy	F=Type V	1X45=45w	U=120-277V H=347-480V	4K=4000K 5K=5000K	S=Standard Clear UV-Stabilized Polycarbonate Prismatic Lens L=SoftLED LumaLens Opal UV-Stabilized Polycarbonate Lens	Z=Bronze C=Custom (Consult Factory)	SF=Single Fuse* DF=Double Fuse* SP=Surge Protection PC3=Photocell, 120-277VAC S2=Microwave Sensor with Dimming for Mounting Heights of 8' to 40'.* S4=Microwave On/Off Motion Sensor for Mounting Heights of 8' to 19'.* QM=Quick Mount/Pendant Mount BU=Battery Backup, 90 Minutes* BUC=Cold Start Battery Backup, -20°C, 90 Minutes* **120-277V Models Only.

Accessories & Replacement Parts:

Replacement Parts (Order Separately, Field Installed)

ECVN40PC4	Clear Prismatic UV-Stabilized Polycarbonate Lens with Four (4) Screw Holes
ECVN40PW	SoftLED LumaLens Opal UV-Stabilized Polycarbonate Lens
ECVNQM	Hinged Quick-Mount Bracket, Stamped Steel, Mount Over Recessed Electrical Box, or Use 3/4" NPS Downrod for Pendant Mounting. CSA Listed for Damp Location Mounting.
ECP18103	120-277VAC Photocell
ECP17117	Internal Microwave Sensor with Dimming for Mounting Heights of 8 to 40'. 120-277VAC, 50/60Hz
ECP17123	Internally Mounted Microwave On/Off Motion Sensor for Mounting Heights of 8' to 19', 120-277VAC, 50/60Hz

For Replacement Battery Backup, see the Eco-Revolution LED Battery Backup Specification Sheet.



ECVN40PC4



ECVNQM



ECP18103

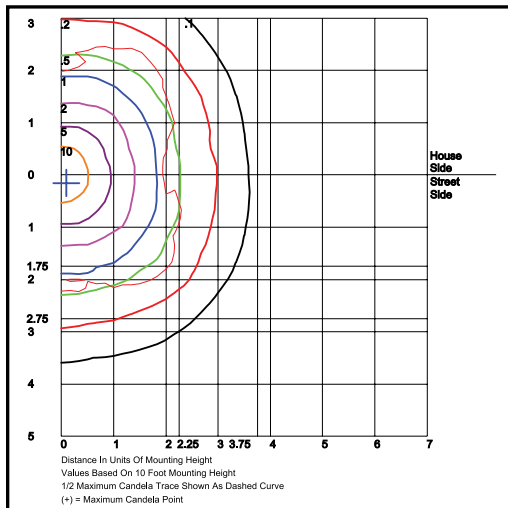


ECP17117



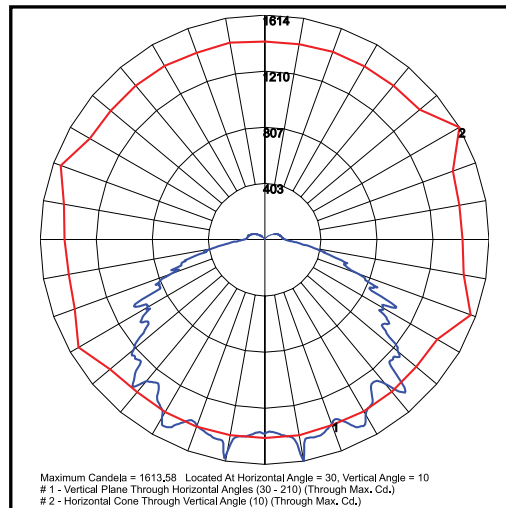
ECP17123

Photometric Data



ECVN40QF1X45U5KS
Type V

Grid in MH
MH=10 Feet



ECVN40QF1X45U5KS
Type V



Photometric Performance

LED Board Watts	Drive Current (mA)	Input Watts	Optics	5000 CCT 80 CRI						4000 CCT 80 CRI					
				Lumens	LPW	B	U	G	Lumens	LPW	B	U	G		
ThermaLED 45w	117	53	Type V	6,267	118	2	3	2	6,016	114	2	3	2		

Projected Lumen Maintenance

Data shown for 5000 CCT TM-21-11		Input Watts	Compare to MH				
			Initial	25,000 Hrs	50,000 Hrs	100,000 Hrs	Calculated LED Life
L70 Lumen Maintenance @ 25°C / 77°F	53		1.00	0.96	0.92	0.83	177,000
L70 Lumen Maintenance @ 50°C / 122°F			1.00	0.93	0.85	0.71	102,000
L80 Lumen Maintenance @ 40°C / 104°F			1.00	0.94	0.87	0.74	78,000

NOTES:

1. Projected per IESNA TM-21-11. Data references the extrapolated performance projections for the 117mA base model in a 25°C ambient, based on 10,000 hours of LED testing per IESNA LM-80-08.
2. Compare to MH box indicates suggested Light Loss Factor (LLF) to be used when comparing to Metal Halide (MH) systems.