

# ECVN44Q **ThermaLED** technology

## ThermaLED Low Profile Large Surface Mount



12802 COMMODITY PL  
TAMPA, FL 33626  
PHONE: 844-636-2036  
SALES@ECO-REVOLUTION.COM  
WWW.ECO-REVOLUTION.COM

REVOLUTION  
A QSSI COMPANY SINCE 1985



**L70**  
(25°C) **147,000 Hours**



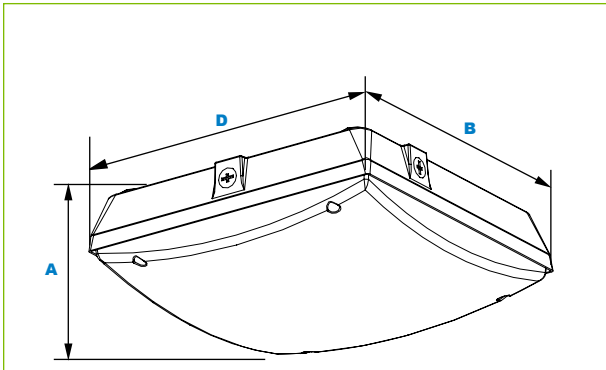
The Eco-Revolution ECVN44Q Low Profile Large Surface Mount luminaire is available with an optical distribution designed specifically to replace HID lighting systems up to 175w MH or HPS. Typical lighting applications include retail centers, industrial parks, schools and universities, public transit and airports, office buildings and medical facilities. Mounting heights of 12 to 20 feet can be used based on light level and uniformity requirements.

**Specifications and Features:**

<b>Housing:</b>	Die Cast Aluminum Housing, 1/2" Coin Plugs with O-rings for Conduit & Photocell on Three Sides & Back, Nickel-Plated Stainless Steel Hardware.
<b>Listing &amp; Ratings:</b>	CSA: Listed for Wet Locations, ANSI/UL 1598, 8750. IP66 Sealed LED Compartment.
<b>Finish:</b>	Textured Architectural Bronze Powdercoat Finish Over a Chromate Conversion Coating. Custom Colors Available Upon Request.
<b>Lens:</b>	SoftLED Low Profile LumaLens Opal UV-Stabilized Polycarbonate Vandal-Resistant Lens
<b>Mounting Options:</b>	Mount Directly Over a 4" Recessed Outlet Box, or Use 1/2" Surface Conduit.
<b>ThermaLED LED:</b>	Aluminum Boards
<b>Wattage:</b>	Array: 45.4w, System: 53.7w; (175w HID Equivalent)
<b>Driver:</b>	Electronic Driver, 120-277V, 50/60Hz or 347-480V, 50/60Hz; Less Than 20% THD and PF>0.90. Standard Internal Surge Protection 6kV. 0-10V Dimming Standard for a Dimming Range of 100% to 10%; Dimming Source Current is 150 Microamps.
<b>Controls:</b>	Fixtures Ordered with Factory-Installed Photocell or Motion Sensor Controls are Internally Wired for Switching and/or 1-10V Dimming Within the Housing. Remote Direct Wired Interface of 1-10V Dimming is Not Implied and May Not Be Available, Please Consult Factory. Fixtures are Tested with Eco-Revolution Controls and May Not Function Properly With Controls Supplied By Others. Fixtures are NOT Designed for Use with Line Voltage Dimmers.
<b>Warranty:</b>	5-Year Warranty for -40°C to +40°C Environment.

See Page 3 for Projected Lumen Maintenance Table.

**Certification & Listings:**



Dimensions	
<b>Width (D)</b>	12 1/2" (315mm)
<b>Length (B)</b>	12 1/2" (315mm)
<b>Height (A)</b>	4 1/4" (106mm)

<b>Project Information:</b>	Project Name: _____	Fixture Type: _____
	Complete Catalog #: _____	Date: _____
	Comments: _____	_____
	_____	_____

**5 LOCATIONS**  
Tampa, FL  
Vancouver, WA  
Cerritos, CA  
Walden, NY  
Memphis, TN

# ECVN44Q **ThermaLED** Technology

## ThermaLED Low Profile Large Surface Mount



1 2802 COMMODITY PL  
TAMPA, FL 33626  
PHONE: 844-636-2036  
SALES@ECO-REVOLUTION.COM  
WWW.ECO-REVOLUTION.COM

REVOLUTION  
A QSSI COMPANY SINCE 1985

Order Information Example: ECVN44QF1X45U5KLPZSP

ECVN44Q	F	1X45			LP		
Model	Optics	Wattage	Driver	CCT	Lens	Color	Options
ECVN44Q= ThermaLED Low Profile Large Surface Mount	F=Type V	1X45=45w	U=120-277V H=347-480V	4K=4000K 5K=5000K	LP=SoftLED Low Profile LumaLens Opal UV-Stabilized Polycarbonate Lens	Z=Bronze C=Custom (Consult Factory)	<b>SF</b> =Single Fuse* <b>DF</b> =Double Fuse* <b>SP</b> =Surge Protection <b>PC3</b> =Photocell, 120-277VAC <b>S2</b> =Microwave Sensor with Dimming for Mounting Heights of 8' to 40'.* <b>S4</b> =Microwave On/Off Motion Sensor for Mounting Heights of 8' to 19'.* <b>BU</b> =Battery Backup, 90 Minutes* <b>BUC</b> =Cold Start Battery Backup, -20°C, 90 Minutes* *120-277V Models Only.

### Accessories & Replacement Parts:

Replacement Parts (Order Separately, Field Installed)	
ECP18103	120-277VAC Photocell
ECP17117	Internal Microwave Sensor with Dimming for Mounting Heights of 8 to 40'. 120-277VAC, 50/60Hz
ECP17123	Internally Mounted Microwave On/Off Motion Sensor for Mounting Heights of 8' to 19', 120-277VAC, 50/60Hz
For Replacement Battery Backup, see the Eco-Revolution LED Battery Backup Specification Sheet.	



ECP18103

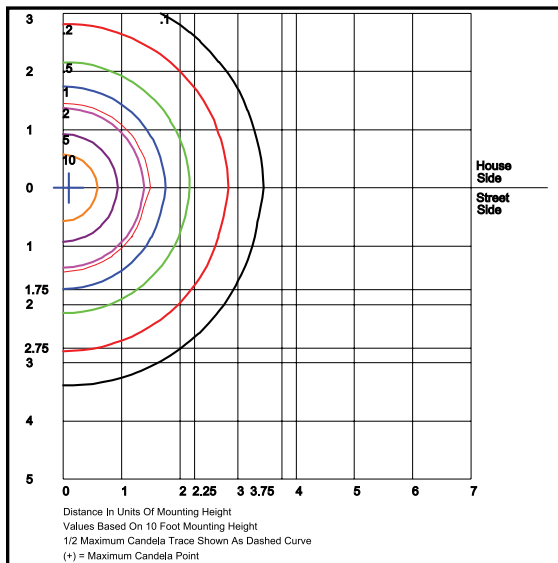


ECP17117



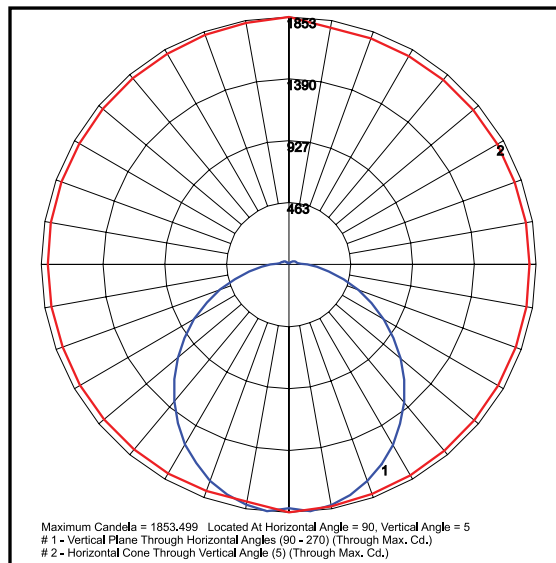
ECP17123

### Photometric Data



ECVN44QF1X45U5KLP  
Type V

Grid in MH  
MH=10 Feet



ECVN44QF1X45U5KLP  
Type V

# ECVN44Q **ThermaLED** Technology

## ThermaLED Low Profile Large Surface Mount



12802 COMMODITY PL  
TAMPA, FL 33626  
PHONE: 844-636-2036  
SALES@ECO-REVOLUTION.COM  
WWW.ECO-REVOLUTION.COM

### Photometric Performance

LED Board Watts	Drive Current (mA)	Input Watts	Optics	5000 CCT 80 CRI					4000 CCT 80 CRI				
				Lumens	LPW	B	U	G	Lumens	LPW	B	U	G
<b>ThermaLED 45w</b>	117	54	Type V	5,727	107	2	3	2	5,498	102	2	3	2

### Projected Lumen Maintenance

Data shown for 5000 CCT		Compare to MH				
TM-21-11	Input Watts	Initial	25,000 Hrs	50,000 Hrs	100,000 Hrs	Calculated LED Life
<b>L70 Lumen Maintenance @ 25°C / 77°F</b>	54	1.00	0.95	0.90	0.80	147,000
<b>L70 Lumen Maintenance @ 50°C / 122°F</b>		1.00	0.89	0.78	0.55	67,000
<b>L80 Lumen Maintenance @ 40°C / 104°F</b>		1.00	0.92	0.85	0.70	66,000

**NOTES:**

1. Projected per IESNA TM-21-11. Data references the extrapolated performance projections for the 117mA base model in a 25°C ambient, based on 10,000 hours of LED testing per IESNA LM-80-08.
2. Compare to MH box indicates suggested Light Loss Factor (LLF) to be used when comparing to Metal Halide (MH) systems.