

# ECWBB5Q AmberLED

## AmberLED Full Cutoff Wall Sconce



12802 COMMODITY PL  
TAMPA, FL 33626  
PHONE: 844-636-2036  
SALES@ECO-REVOLUTION.COM  
WWW.ECO-REVOLUTION.COM  
A QSSI COMPANY SINCE 1985



**L70**  
(25°C) **147,000 Hours**



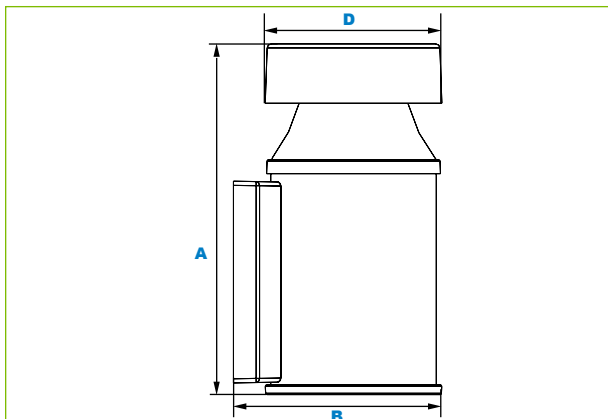
Shown with Battery Backup Option. Includes Factory Wired Back Box for Battery Backup

The Eco-Revolution Amber ECWBB5Q ThermoLED Cutoff Architectural Wall Sconce provides controlled down lighting with a uniform distribution designed for wildlife, dark skies, or security applications requiring monochromatic AMBER light. LEDs operate between 585 and 595 nm, greater than 560nm required for wildlife protection. Typical wall mounted lighting applications include retail centers, industrial parks, schools and universities, public transit and airports, office buildings and medical facilities. Mounting heights of 8 to 12 feet can be used based on light level and uniformity requirements.

### Specifications and Features:

<b>Housing:</b>	Extruded Aluminum Housing with Flush Mount Easy-Hang Wall Bracket, Built-In Level, Sealed Driver Compartment. 360° Distribution, or 120° or 180° Shield.
<b>Listing &amp; Ratings:</b>	ETL: Listed for Wet Locations, ANSI/UL 1598, 8750 IP66 Sealed LED Compartment.
<b>Finish:</b>	Textured Architectural Bronze or Black Powdercoat Finish Over a Chromate Conversion Coating. Custom Colors Available Upon Request.
<b>Lens:</b>	Clear UV-Stabilized Polycarbonate Vandal-Resistant Lens
<b>Mounting Options:</b>	Mount Over a 4" Recessed Outlet Box.
<b>AmberLED:</b>	Aluminum Boards
<b>Wattage:</b>	360° Arrays: 14w, System: 16.1w 180° & 120° Arrays: 14w, System: 16.1w
<b>Driver:</b>	Electronic Driver, 120-277V, 50/60Hz; Less Than 20% THD and PF>0.90. Standard Internal Surge Protection 2kV. 0-10V Dimming Standard for a Dimming Range of 100% to 10%; Dimming Source Current is 150 Microamps.
<b>Battery Backup:</b>	Battery Backup Option Includes Accessory Housing (Ships Separately). Empty Accessory Housing is Available For Use When a Uniform Building Aesthetic is Desired.
<b>Warranty:</b>	5-Year Warranty for -40°C to +50°C Environment.

See Page 3 for Projected Lumen Maintenance Table



#### Dimensions

<b>Diameter (D)</b>	4¾" (120mm)
<b>Length (B)</b>	6" (152mm)
<b>Height (A)</b>	10" (254mm)

#### Certification & Listings:



#### Project Information:

Project Name: \_\_\_\_\_ Fixture Type: \_\_\_\_\_

Complete Catalog #: \_\_\_\_\_ Date: \_\_\_\_\_

Comments: \_\_\_\_\_

**5 LOCATIONS**  
Tampa, FL  
Vancouver, WA  
Cerritos, CA  
Walden, NY  
Memphis, TN

# ECWBB5Q AmberLED

## AmberLED Full Cutoff Wall Sconce



12802 COMMODITY PL  
TAMPA, FL 33626  
PHONE: 844-636-2036  
SALES@ECO-REVOLUTION.COM

**REVOLUTION** WWW.ECO-REVOLUTION.COM  
A QSSI COMPANY SINCE 1985

### Order Information Example:

ECWBB50QF1X14UAMCZ

	<b>U</b>	<b>AM</b>	<b>C</b>		
<b>Model</b>	<b>Driver</b>	<b>CCT</b>	<b>Lens</b>	<b>Color</b>	<b>Options</b>
<b>ECWBB50QF1X14</b> = Full Cutoff Wall Sconce - 360°, 14w <b>ECWBB5TQF1X14</b> = Full Cutoff Wall Sconce with 120° Shield, 14w <b>ECWBB5HQF1X14</b> = Full Cutoff Wall Sconce with 180° Shield, 14w	<b>U</b> =120-277V	<b>AM</b> =1400K	<b>C</b> =Clear UV-Stabilized Polycarbonate Vandal-Resistant Lens	<b>Z</b> =Bronze <b>B</b> =Black <b>C</b> =Custom (Consult Factory)	<b>BU4</b> =Battery Backup, 90 Minutes* <b>BUC4</b> =Cold Start Battery Backup, -20°C, 90 Minutes* <b>*120-277V Models Only.</b>

### Accessories & Replacement Parts:

#### Accessories (Order Separately, Field Installed)

ECACCHSG4\* Empty Die Cast Accessory Housing, Powdercoat Finish

\*Specify Color: Z=Bronze, B=Black, C=Custom (Consult Factory)

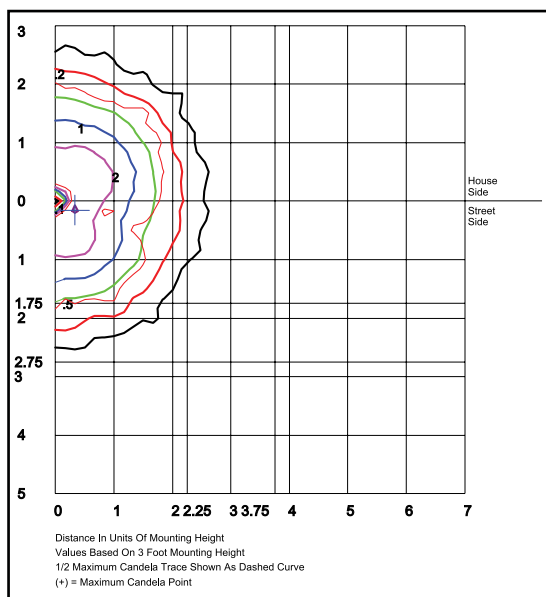


ECACCHSG4

#### Replacement Parts (Order Separately, Field Installed)

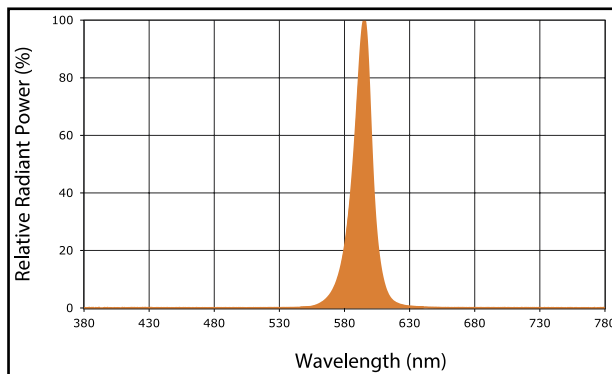
For Replacement Battery Backup, see the Eco-Revolution LED Battery Backup Specification Sheet.

### Photometric Data



**ECWBB50QF1X14UAM**  
**360° Open - Clear Glass Lens**  
Grid in feet, Mounting Height = 3 ft.

### Spectral Chart



# ECWBB5Q AmberLED

## AmberLED Full Cutoff Wall Sconce



12802 COMMODITY PL  
TAMPA, FL 33626  
PHONE: 844-636-2036  
SALES@ECO-REVOLUTION.COM  
WWW.ECO-REVOLUTION.COM

REVOLUTION  
A QSSI COMPANY SINCE 1985

### Photometric Performance

Wattage (Catalog Logic)		14W (1X14)
Input Watts		16.1W
Optic	CCT	Delivered Lumens
<b>360° ECWBB50 Models</b> <b>F=Type V Optic</b>	Amber	192
	BUG Rating	B0-U1-G0

Wattage (Catalog Logic)		14W (1X14)
Input Watts		16.1W
Optic	CCT	Delivered Lumens
<b>180° ECWBB5H Models</b> <b>F=Type V Optic</b>	Amber	136
	BUG Rating	B0-U1-G0

### Projected Lumen Maintenance

Data shown for Amber LEDs		Compare to MH				
TM-21-11	Input Watts	Initial	25,000 Hrs	50,000 Hrs	100,000 Hrs	Calculated LED Life
<b>L70 Lumen Maintenance @ 25°C / 77°F</b>	All wattages up to and including 14w	1.00	0.95	0.90	0.80	147,000
<b>L70 Lumen Maintenance @ 50°C / 122°F</b>		1.00	0.89	0.78	0.55	67,000
<b>L80 Lumen Maintenance @ 40°C / 104°F</b>		1.00	0.92	0.85	0.70	66,000

- NOTES:**
1. Projected per IESNA TM-21-11. Data references the extrapolated performance projections for the base model in a 25°C ambient, based on 10,000 hours of LED testing per IESNA LM-80-08.
  2. Compare to MH box indicates suggested Light Loss Factor (LLF) to be used when comparing to Metal Halide (MH) systems.