

ECWPC15Q AmberLED

AmberLED Constellation Medium Full Cutoff Wall Pack



12802 COMMODITY PL
TAMPA, FL 33626
PHONE: 844-636-2036
SALES@ECO-REVOLUTION.COM

REVOLUTION WWW.ECO-REVOLUTION.COM
A QSSI COMPANY SINCE 1985



L70
(25°C) **213,000 Hours**

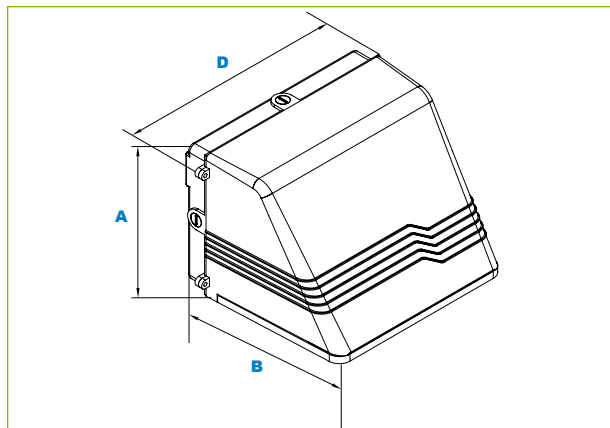


The Eco-Revolution AmberLED ECWPC15Q cut-off wall pack luminaire is available in an IES Type V distribution designed to replace HID lighting systems 175w to 250 MH or HPS for wildlife or security applications requiring monochromatic AMBER light. LEDs operate between 585 and 595 nm, greater than 560nm required for wildlife protection. Typical wall mounted lighting applications include retail centers, industrial parks, schools and universities, office buildings and medical facilities. Mounting heights of 12 to 18 feet can be used based on light level and uniformity requirements.

Specifications and Features:

Housing:	Die Cast Hinged and Gasketed Aluminum Front Frame and Housing with 1/2" Coin Plugs. Nickel-Plated Stainless Steel Hardware. Photocell Adaptable.
Listing & Ratings:	CSA: Listed for Wet Locations, ANSI/UL 1598, 8750 IP65 Sealed LED Compartment.
Finish:	Textured Architectural Bronze Powdercoat Finish Over a Chromate Conversion Coating. Custom Colors Available Upon Request.
Lens:	Tempered Clear Flat Glass Lens or Tempered Clear Flat Prismatic Glass Lens.
Mounting Options:	Cast-in Template for Mounting Directly Over a 4" Recessed Outlet Box, or Use 1/2" Surface Conduit.
AmberLED:	Aluminum Boards
Wattage:	Array: 37w, System: 40w (250w HID Equivalent)
Driver:	Electronic Driver, 120-277V, 50/60Hz; Less Than 20% THD and PF>0.90. Standard Internal Surge Protection 6kV. 0-10V Dimming Standard for a Dimming Range of 100% to 10%; Dimming Source Current is 150 Microamps.
Controls:	Fixtures Ordered with Factory-Installed Photocell or Motion Sensor Controls are Internally Wired for Switching and/or 1-10V Dimming Within the Housing. Remote Direct Wired Interface of 1-10V Dimming is Not Implied and May Not Be Available, Please Consult Factory. Fixtures are Tested with Eco-Revolution Controls and May Not Function Properly With Controls Supplied By Others. Fixtures are NOT Designed for Use with Line Voltage Dimmers.
Warranty:	5-Year Warranty for -40°C to +40°C Environment.

See Page 3 for Projected Lumen Maintenance Table.



Dimensions

Width (D)	14 1/4" (362mm)
Length (B)	11 3/8" (289mm)
Height (A)	9 5/8" (232mm)

Certification & Listings:



Project Information:

Project Name: _____

Complete Catalog #: _____

Comments: _____

Fixture Type: _____

Date: _____

5 LOCATIONS
Tampa, FL
Vancouver, WA
Cerritos, CA
Walden, NY
Memphis, TN

ECWPC15Q AmberLED

AmberLED Constellation Medium Full Cutoff Wall Pack



1 2802 COMMODITY PL
TAMPA, FL 33626
PHONE: 844-636-2036
SALES@ECO-REVOLUTION.COM
WWW.ECO-REVOLUTION.COM

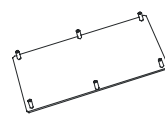
Order Information Example: ECWPC15QF1X37UAMCZSP

ECWPC15Q	F	1X37	U	AM			
Model	Optics	Wattage	Driver	CCT	Lens	Color	Options
ECWPC15Q= AmberLED Constellation Medium Full Cutoff Wall Pack	F=Type V	1X37=37w	U=120-277V	AM=Amber	C=Clear Flat Glass Lens, P=Clear Flat Prismatic Glass Lens	Z=Bronze C=Custom (Consult Factory)	SF=Single Fuse* DF=Double Fuse* SP=Surge Protection PC3=Photocell, 120-277VAC BU=Battery Backup, 90 Minutes* BUC=Cold Start Battery Backup, -20°C, 90 Minutes* *120-277V Models Only.

Accessories & Replacement Parts:

Accessories (Order Separately, Field Installed)	
ECWPC15LG	Clear UV-Stabilized Polycarbonate Vandal Resistant Guard, Includes Hardware.
ECWPC15WG	Wire Guard, Stainless Steel Construction, Includes Hardware.
ECWPC15BFZ	Baffle, Aluminum with Bronze Powdercoat Finish

Replacement Parts (Order Separately, Field Installed)	
ECWPC15GLC	Tempered Clear Flat Glass Lens.
ECWPC15GLP	Tempered Prismatic Flat Glass Lens.
ECP18103	120-277VAC Photocell
For Replacement Battery Backup, see the Eco-Revolution LED Battery Backup Specification Sheet.	



ECWPC15LG



ECWPC15WG



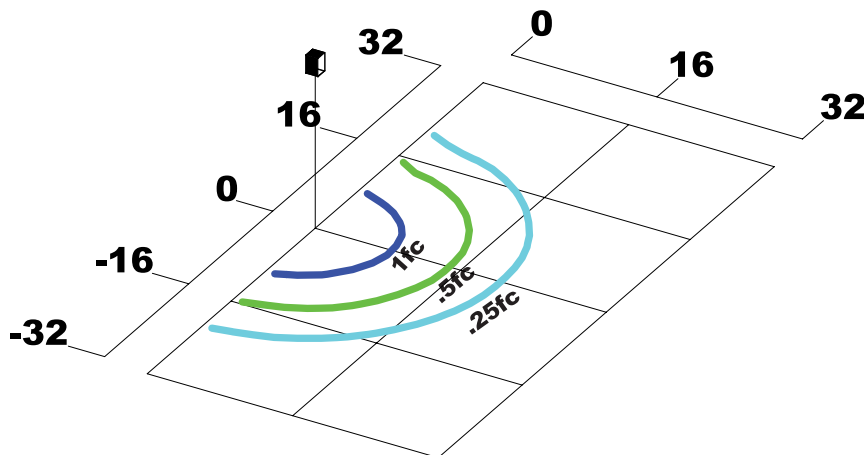
ECWPC15BFZ*



ECP18103

*Shown Mounted

Photometric Data



ECWPC15QF1X37UAMC
Type V
Grid in MH
MH=16 Feet

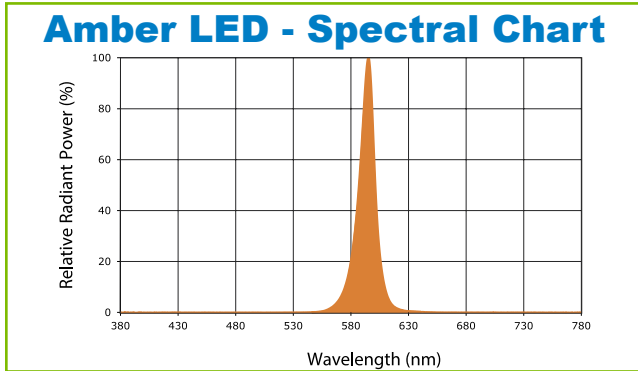
ECWPC15Q AmberLED

AmberLED Constellation Medium Full Cutoff Wall Pack



12802 COMMODITY PL
TAMPA, FL 33626
PHONE: 844-636-2036
SALES@ECO-REVOLUTION.COM
WWW.ECO-REVOLUTION.COM

Spectral Chart



Photometric Performance

LED Board Watts	Drive Current (mA)	Input Watts	Optics	Amber LEDs				
				Lumens	LPW	B	U	G
AmberLED 37w	525	40	Type V	1,279	32	1	1	0

Projected Lumen Maintenance

Data shown for Amber LEDs			Compare to MH			
TM-21-11	Input Watts	Initial	25,000 Hrs	50,000 Hrs	100,000 Hrs	Calculated LED Life
L70 Lumen Maintenance @ 25°C / 77°F	40	1.00	0.96	0.93	0.86	213,000
L70 Lumen Maintenance @ 50°C / 122°F		1.00	0.93	0.87	0.73	113,000
L80 Lumen Maintenance @ 40°C / 104°F		1.00	0.95	0.89	0.78	91,000

NOTES:

1. Projected per IESNA TM-21-11. Data references the extrapolated performance projections for the 525mA base model in a 25°C ambient, based on 10,000 hours of LED testing per IESNA LM-80-08.
2. Compare to MH box indicates suggested Light Loss Factor (LLF) to be used when comparing to Metal Halide (MH) systems.